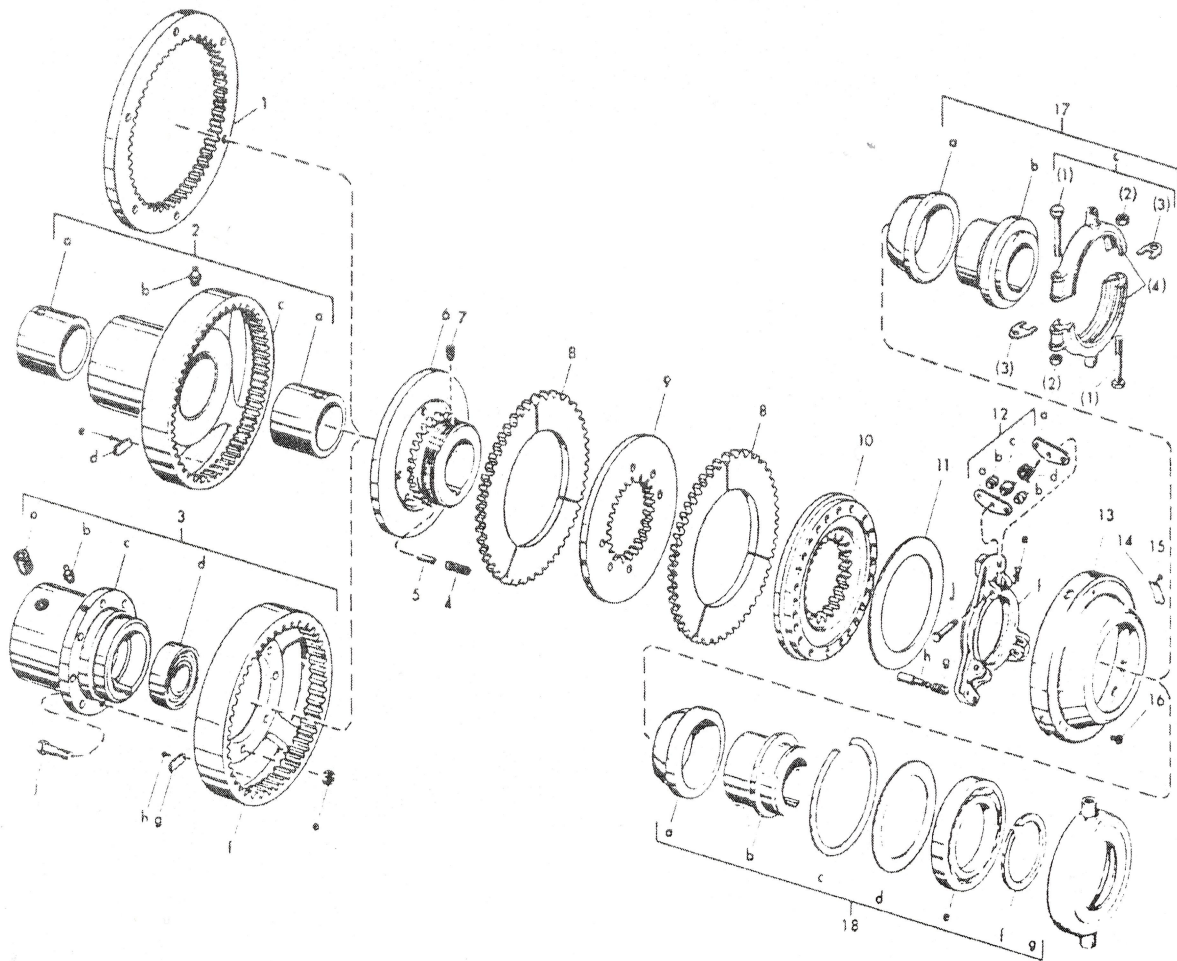


CL111/CL211/CL311



SPECIAL NOTES:

- (1) The above view shows a standard two plate (Item 8) model CL clutch. However, the part numbers listed in this bulletin cover all the various models including the one and three plate versions.
- (2) The above view shows three optional driving members for the model CL clutch. Item one is a standard driving ring that is adapted to other vendor supplied components. Items two or three are spider, hub combinations that are designed for a single (customer supplied) shaft arrangement as in item two, or a two shaft arrangement as in item three. The spider flange (item 3f) can also be purchased separately and used with a customer supplied hub.
- (3) The above view shows two different throwout collars; Item 17 and Item 18. The bronze (#17) collars are lower cost and have the advantage of being radially split for easy replacement. The ball bearing (#18) collars have longer life and are usually recommended where frequent engagements are necessary.
- (4) Model CL clutches can also be supplied with solid driving plates (in place of split plates), sintered iron bonded plates, metal core plates with frictions or special bolt-up (in place of gear tooth) friction type (single) plates. All these items must be specified on your Twin Disc (five digit) bill of material number and not be modified without proper recommendation.
- (5) The special non-overlocking cone ring (Item #17a and #18a) is optional and is specified in applications where positive (locked in) engagement is not required.

Item	Description	CL-108	Qty	CL-208	Qty	CL-308	Qty
1	Ring Driving	6625A	1	6931	1	6532	1
2	Spider, Driving, Bushing Assby.	W122	1	W123	1	W124	1
a	Bushing, Bronze	A1221	2	A1221	2	A1221	2
b	Fitting, Hydraulic	M268	1	M268	1	M268	1
c	Spider, Driving	8151 1B	1	8151 2B	1	8151 3B	1
3	Spider, Driving, Ball Bearing Assby	W125	1	W126	1	W127	1
a	Setscrew	M2043Q	1	M2043Q	1	M2043Q	1
b	Fitting Hydraulic	M268	1	M268	1	M268	1
c	Hub, Ball Bearing	A5939	1	A5939	1	A5939	1
d	Ball Bearing, Spider, Driving	M171	1	M171	1	M171	1
e	Nut	M1930F	8	M1930F	8	M1930F	8
f	Flange, Spider, Driving	A5936	1	A5937	1	A5938	1
g	Screw	M2002AK	8	M2002AK	8	M2002AK	8
4	Spring, Release	1818	6	1930A	6	2011	6
5	Pin, Spring, Release			M1927C	6	1927D	6
6	Plate, Hub and Back	6499	1	6498	1	6495	1
7	Setscrew, Dog Point, Half	M2039E	1	M2039E	1	M2039E	1
8	Plate, Driving (Split) 51 Teeth	A5579M	1	A5579M	2	A5579M	3
	Plate, Driving (Solid) 51 Teeth	5879L	1	5879L	2	5879L	3
9	Plate, Center			5273	1	5273	1
10	Plate, Floating	A5482B	1	A5482B	1	A5482B	1
11	Disk, Roller	A3649	1	A3649	1	A3649	1
12	Yoke, Adjusting, Assby.	A211	1	A211	1	A211	1
a	Lever	B3388	6	B3388	6	B3388	6
b	roller	B2189	6	B2189	6	B2189	6
c	Spacer	A2798DM	3	A2798DM	3	A2798DM	3
d	Spring, Lever	A2603	3	A2603	3	A2603	3
e	Cotter Pin	B1535C	3	B1535C	3	B1535C	3
f	Yoke, Adjusting	A3747D	1	A3747D	1	A3747D	1
g	Spring, Pin Lock/Adjusting	1382	1	1382	1	1382	1
h	Pin, Lock, Adjusting	A1683	1	A1683	1	A1683	1
i	Pin, Lever	B1538E	3	B1538E	3	B1538E	3
13	Cover, Clutch	A3762	1	A3762	1	A3762	1
14	Plate	A2012	1	A2012	1	A2012	1
15	Pin, Drive	1333	2	1333	2	1333	2
16	Screw	M2023F	3	M2023F	3	M2023F	3
17	Cone, Bronze Assby.						
a	Cone, Ring	A3469	1	A3469	1	A3469	1
	Cone, Ring (Non-Overlocking)	ZA3469A	1	ZA3469A	1	ZA3469A	1
	Cone, Ring (Non-Overlocking)	ZA3469C	1	ZA3469C	1	ZA3469C	1
b	Sleeve, Cone	A3471	1	A3471	1	A3471	1
c	Collar, Cone, Bronze Assby.	X117C10	1	X117C10	1	X117C10	1
	(1) Screw	M2002BB	2	M2002BB	2	M2002BB	2
	(2) Nut, Lock, Hex	M1930F	2	M1930F	2	M1930F	2
	(3) Shim	1294	2	1294	2	1294	2
	(4) Collar, Cone, Split	117C10		117C10		117C10	
18	Cone, Ball Bearing, Assby.						
a	Cone, Ring	A3469	1	A3469	1	A3469	1
	Cone, Ring (Non-Overlocking)	ZA3469A	1	ZA3469A	1	ZA3469A	1
	Cone, Ring (Non-Overlocking)	ZA3469C	1	ZA3469C	1	ZA3469C	1
b	Sleeve, Cone	A3552	2	A3552	1	A3552	1
c	Ring, Snap, Collar Cone	A2669K	1	A2669K	1	A2669K	1
d	Washer	A1366	1	A1366	1	A1366	1
e	Ball Bearing, Spider, Driving	M281	1	M281	1	M281	1
f	Ring, Snap, Cone Sleeve	A2622H	1	A2622H	1	A2622H	1
g	Collar, Cone, Ball Bearing	4852	1	4852	1	4852	1