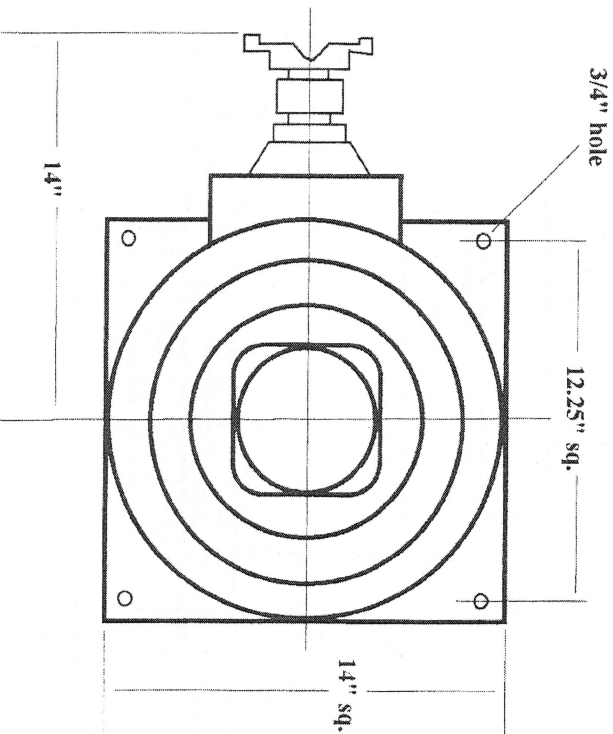
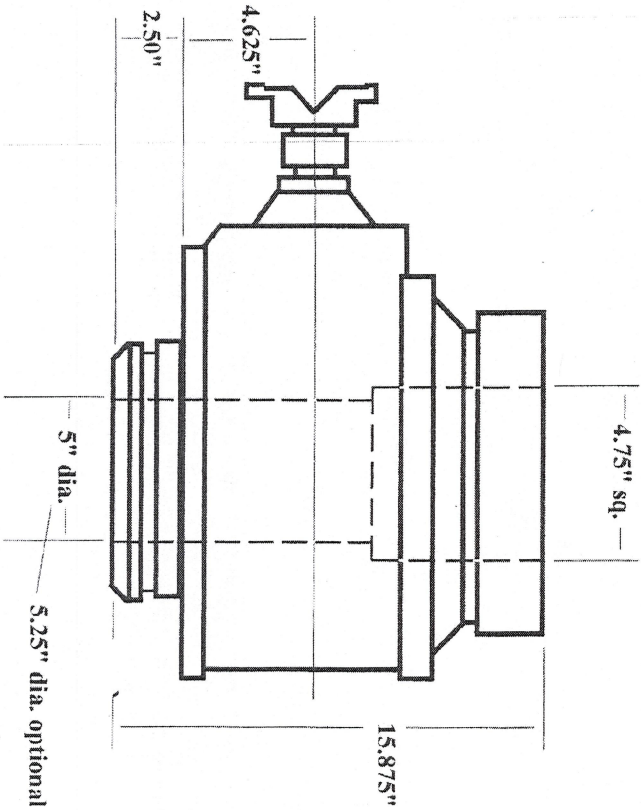


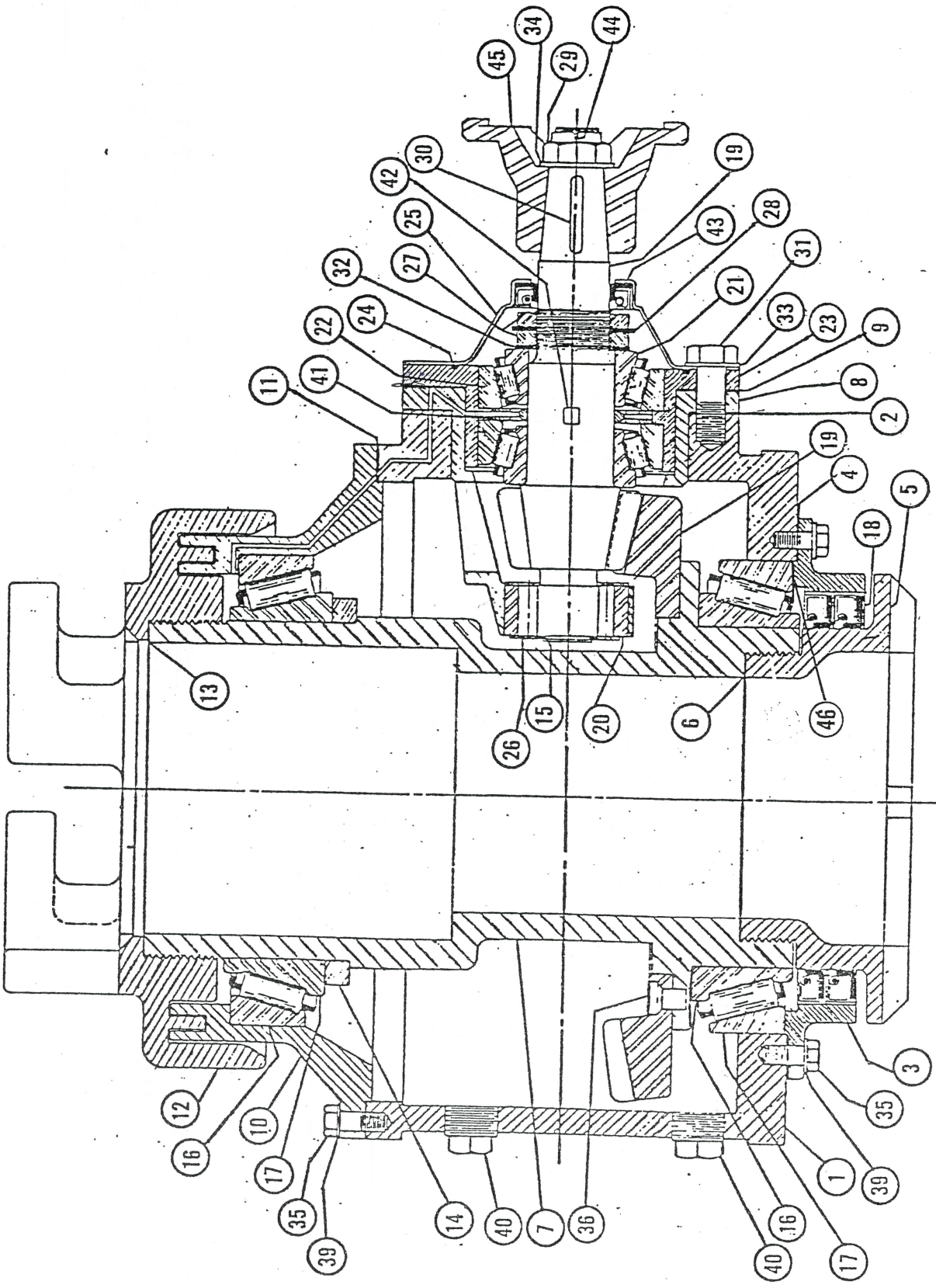
Rotary Table Specifications (1000)

Mayhew 1000 - 603 - A & B

- Type - Bottom or Top ring gear & pinion, enclosed oil bath
- Standard Opening - 5" (5-1/4" optional)
- Drive Type - Standard flat nut with 4-3/4" or optional 5-1/4" opening
- Gear Ratio - 6.66 to 1
- Input Speed - 52 HP at 1700 RPM
- Weight - 295 lbs.
- Pinion Gear - 6T Spiral bevel
- Ring Gear - 40T Spiral Bevel
- Max Torque - Pinion - 2,900 in. lb. Ring Gear - 19,400 in. lb.
- Pinion Shaft - 1-3/8" Taper /ft.



N.D.S. Drilling Supply
 26041 Newton Circle
 Elko, MN 55020
 Phone # 800-637-1940
 Fax # 952-461-3403



GARDNER-DENVER CO
 DALLAS, TEXAS USA

TITLE		ROTARY TABLE	
SHEET		PUBLICATION NO.	
1 OF 1		171365	

ITEM	QTY	PART NO	DESCRIPTION
1	1	109031	CASE
2	1	121016	GASKET
3	1	110912	GREASE SEAL RETAINER
4	2	137965	GASKET
5	1	125475	BOTTOM NUT
6	1	137966	GASKET
7	1	111961	SLEEVE
8	1	110909	PILOT BEARING HOUSING
9	1	102529	GASKET
10	1	110342	COVER
11	1	121017	GASKET
12	1	141740	CAP
13	1	137967	GASKET
14	1	108351	BEARING SPACER
15	1	121799	SNAP RING
16	2	106221	BEARING CONE
17	2	106316	BEARING CUP
18	2	106748	GREASE SEAL
19	1	157267	RING GEAR & PINION
			NOTE: RING GEAR & PINION MUST BE ORDERED IN MATCHED SETS
20	1	106365	PILOT BEARING
21	2	106232	BEARING CONE
22	2	106317	BEARING CUP
23	1	107328	PINION HOUSING
24	1	121014	GASKET
25	1	121796	GREASE SHIELD
26	1	121797	PILOT BEARING RETAINER
27	2	140125	PINION LOCK NUT
28	1	140160	PINION LOCKWASHER
29	1	100839	PINION NUT
30	1	124091	KEY
31	6	127586	CAPSCREW
32	1	121798	SPACER WASHER
33	6	121074	LOCKWASHER
34	1	101088	WASHER
35	24	105267	CAPSCREW



GARDNER-DENVER CO
DALLAS, TEXAS USA

TITLE

ROTARY TABLE

SHEET

1 OF 2

PUBLICATION NO.

171365

ITEM	QTY	PART NO	DESCRIPTION
36	12	124726	RIVET
37	2	105128	PINION PILOT RETAINER SCREW
38	2	121066	LOCKWASHER
39	24	121071	LOCKWASHER
40	2	122286	OIL PLUG
41	1	101599	OIL IMPELLER
42	1	101479	OIL IMPELLER KEY
43	1	106645	GREASE SEAL
44	1	127249	COTTER PIN
45	1	124127	YOKE
46	2	116036	SHIM

SEE SECTION 6 FOR ADDITIONAL DRILLING COMPONENTS.



GARDNER-DENVER CO
DALLAS, TEXAS USA

TITLE

ROTARY TABLE

SHEET

2 OF 2

PUBLICATION NO.

171365