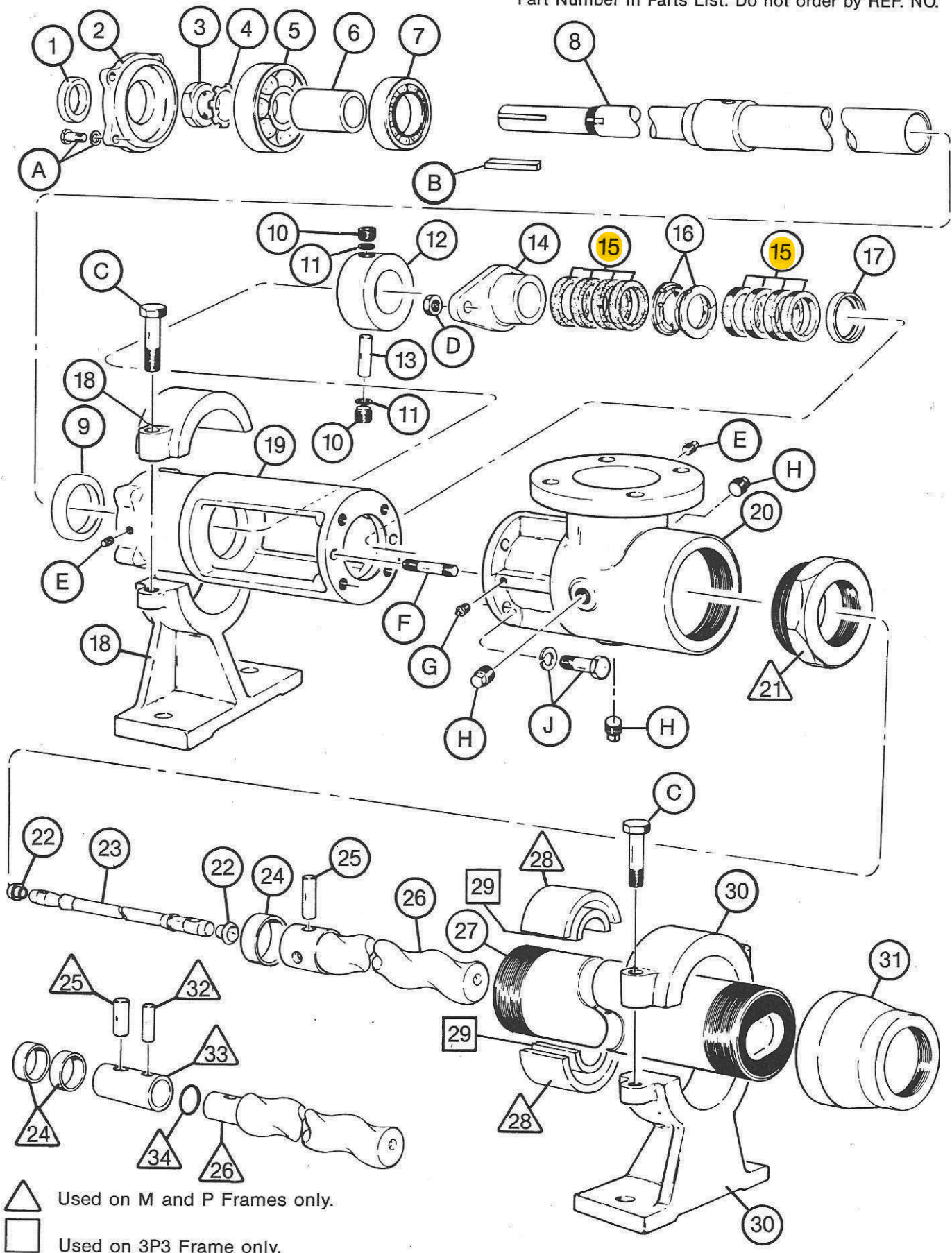


Select Type Designation column in Parts List according to Type No. on nameplate. Refer to Frame No. to select proper rotor and stator and other related parts. Order by Part Number in Parts List. Do not order by REF. NO.



△ Used on M and P Frames only.
 □ Used on 3P3 Frame only.