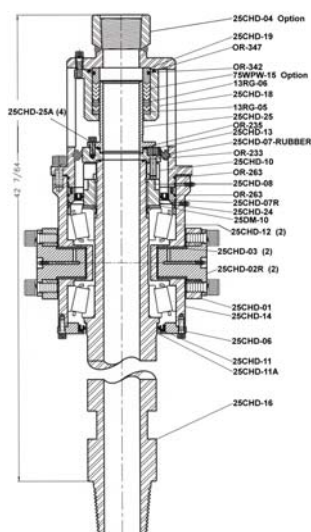


# 25CHD SWIVEL



- 2 ½ Fluid Passage
- For pulldown rigs
- Adjustable tapered roller bearings
- Grease lubricated packing & bearing
- Fits all TH60, T-3W and other drills

## TECHNICAL

LENGTH	WIDTH	WEIGHT	HOSE CONN.	LOWER CONN.	FLUID PASSAGE	WORKING PRESSURE
45 ½	26 5/8	345	3" NPT	3 ½" IF	2 ½"	TO 1500 PSI

## WEIGHT CAPACITY

STATIC	ROTATING
90,000 LBS	40,000 LBS @ 100 RPM

## PARTS LIST

PART NUMBER	NAME	QTY. REQ.	
<b>25CHD-8030-XX</b>	(REVISED) SWIVEL WITH YOKE ASSEMBLY, 3" NPT FEMALE HOSE CONNECTION, STRAIGHT UP, CHEVRON (V-RING) PACKING, WITH 3 ½" IF LH PIN LOWER CONNECTION <b>*FIXED PACKING, NO ADJUSTMENT*</b>		
13RG-05	PACKING SEAT RING	1	
13RG-06	LANTERN RING	1	
25CHD-01	YOKE ASSEMBLY	1	
25CHD-02R	TRUNNION PINS	2	
25CHD-03	BUSHING, TRUNNION PINS	2	
25CHD-04A	BONNET, 3" NPT FEMALE HOSE CONNECTION STRAIGHT UP	1	
25CHD-06	LOWER SEAL BOX	1	
25CHD-07R	SEAL, UPPER HOUSING (SEAL BOX)	1	
25CHD-07-RUBBER	SEAL, UPPER HOUSING (BONNET)	1	
25CHD-08	BEARING ADJUSTING NUT	1	
25CHD-10	BEARING LOCK NUT	1	
25CHD-11	SEAL, LOWER HOUSING	1	
25CHD-11A	SLEEVE, LOWER WEAR	1	
25CHD-12	BEARING (CUP AND CONE)	2	
25CHD-13	ADAPTER, WASHPIPE	1	
25CHD-14	BEARING HOUSING	1	
25CHD-16	SPINDLE, 3 ½" IF LH PIN	1	
25CHD-18	PACKING BOX	1	
25CHD-19	PACKING GLAND	1	
25CHD-24	SEAL BOX, UPPER	1	
25CHD-25	WASHPIPE	1	
25CHD-25A	CAP SCREWS, WASHPIPE	4	
25CHD-26	SLINGER RING	1	
25DM-10	BEARING SHIELD	1	
OR-234	O RING, SPINDLE	1	
OR-235	O RING, WASHPIPE	1	
OR-263	O RING, SEAL BOX AND BONNET	2	
OR-342	O RING, PACKING GLAND	1	
OR-347	O RING, PACKING BOX	1	
75WPW-15	PACKING	1	
75WPW-15-416	PACKING (LOW PRESSURE)	OPTION	

