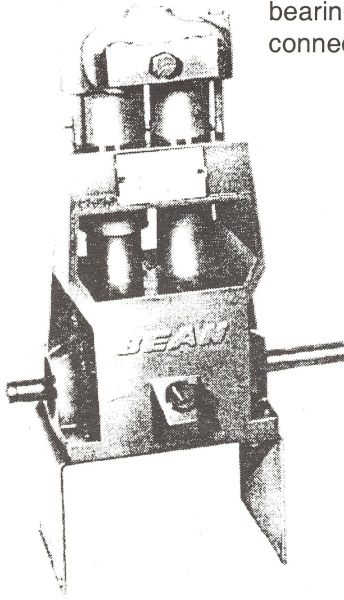


# BEAN PUMPS Models A04

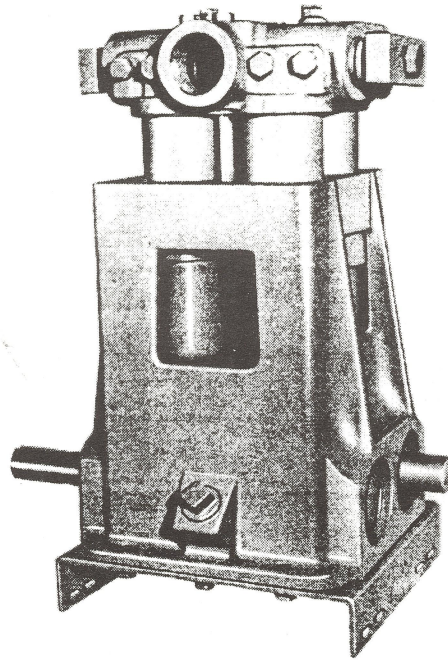
## SPECIFICATIONS

- Piston — 1-1/4", 1-3/8" & 1-5/8" diameters
- Flows to 19 gpm
- Pressures to 750 psi

Automotive type insert bearings on precision connecting rods



Splash deflectors prevent oil bath contamination from fluid end leakage



## SPECIAL FEATURES

- Fluid End Material of Ductile Iron
- Nitrided Crankshaft Resists Corrosion
- Horizontal Model (104) Available
- Designed for Easy, Economical Maintenance
- Cast Iron Pump Case
- Special Raised Seat Valves and Hardened Valve Chamber Available for Abrasives

## PERFORMANCE SPECIFICATIONS

PUMP MODEL	DISPLACEMENT		INPUT		RPM	BORE	PSI	VALVE TYPE
	MIN GPM	MAX GPM	MIN	MAX				
A0410C	3.2	5.3	306	500	1-1/4	750	Disc	
A0411C	3.9	6.5	306	500	1-3/8	600	Disc	
A0413C	5.4	9.0	306	500	1-5/8	550	Disc	
I0410C	1.1	5.3	100	500	1-1/4	750	Disc	
I0411C	1.3	6.5	100	500	1-3/8	600	Disc	
I0413C	1.8	9.0	100	500	1-5/8	550	Disc	

### DISPLACEMENT PER REVOLUTION

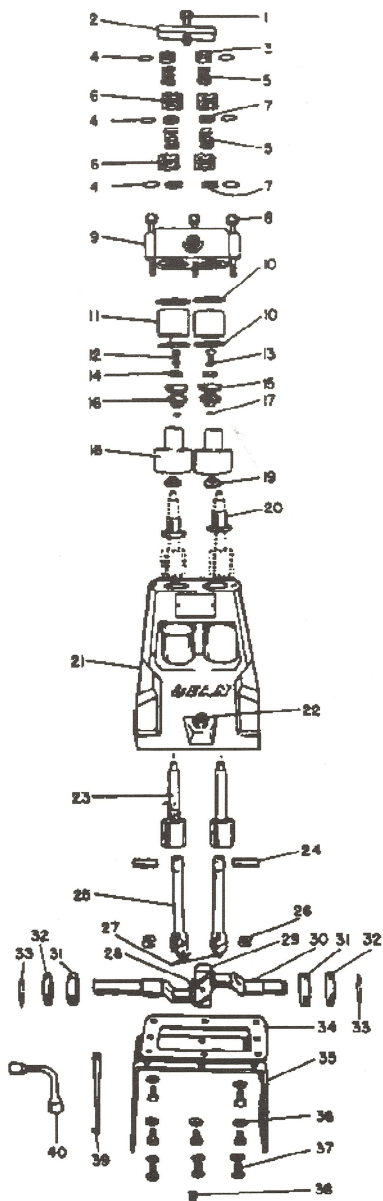
A0410C, I0410C - .0106 Gal. Rev.  
 A0411C, I0411C - .0129 Gal. Rev.  
 A0413C, I0413C - .0180 Gal. Rev.

### HORSEPOWER

A0410C/I0410C requires 2.7 HP @ 750 PSI, 5.3 GPM  
 A0411C/I0411C requires 2.7 HP @ 660 PSI, 6.5 GPM  
 A0413C/I0413C requires 3.4 HP @ 550 PSI, 9.0 GPM

# Rig Parts and Supplies

## Parts List for Bean A04 Series Duplex Pump



Ref. No.	PART NAME	Qty. Used	Model A0413C Part No.
1	Hex Cap Screw, 1/2" - 13 x 1-1/2" (Plated Steel)	1	1 100 064
2	Clamp, Valve Cover (Steel)	1	1 255 887
3	Valve Cover (Steel)	2	1 219 614
4	"O" Ring, 1-3/16" O.D. (Included in valve kit)	6	1 177 394
5	Spring & Disc (Included in valve kit)	4	5 253 449
6	Valve Cage (Stn. Stl.)	4	1 219 610
7	Valve Seat (Stn. Stl.) (Included in valve kit)	4	1 219 615
8	Hex Cap Screw, 3/8" - 16 x 4-3/4 (Steel)	3	1 101 340
9	Valve Chamber (Cast Iron)	1	1 241 397
10	Gasket, Cylinder (Included in packing kit)	4	A 91 684
10A	Ring Seal	2	
10B	"O" Ring	2	
10C	Gasket	2	A 91 684
11	Cylinder (Ceramic)	2	1 241 364
12	Cap Screw, 5/16" - 18 (Stn. Stl.) Nylok (Included in packing kit)	2	1 284 516
14	Packing Washer	2	5 257 218
15	Packing (Included in packing kit)	2	1 251 925
16	Packing Holder	2	1 282 557
17	"O" Ring, 3/4" O.D. (Included in packing kit)	2	1 101 339
18	Umbrella	2	1 279 148
19	Washer, Umbrella	2	1 269 388
20	Sleeve, Crosshead	2	1 218 743
21	Case, Pump (Cast Iron)	1	1 267 611
22	Pipe Plug, 3/4" (Cast Iron)	1	1 105 060
23	Crosshead (Cast Iron)	2	1 216 823
24	Wrist Pin	2	1 219 650
25	Connecting Rod Assembly	2	1 263 906
26	Bearing Insert, Conn. Rod	4	1 263 739
28	Machine Screw, #10-24 x 1/2"	2	1 101 186
	Speed Nut	1	1 272 419
29	Oil Slinger	1	1 255 285
30	Crankshaft	1	1 244 980
31	Bearing	2	1 177 804
32	Oil Seal	2	1 219 669
33	Snap Ring (5000/206)	2	1 113 528
34	Gasket, Pump Base	1	1 219 606
35	Mounting Base, Pump	1	1 255 297
36	Cup Washer, 3/8"	6	1 177 455
37	Cap Screw, 3/8" - 16 x 3/4"	6	1 100 068
38	Pipe Plug, 1/4" — Galv.	1	1 105 666
39	Valve Seat Remover	1	1 250 638
	NOTE: Valve Chamber Assembly (Contains items 1-9)	1	1 241 402