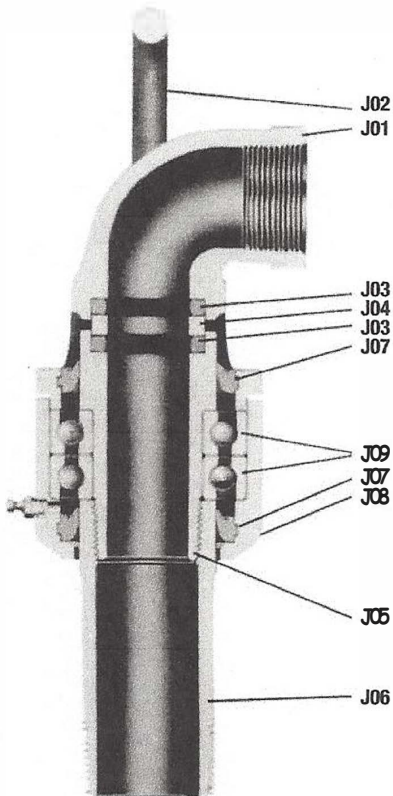


NDS Home Page Hyperlink

NDS Drilling Supply
 26041 Newton Circle
 Elko New Market, MN 55020
 1-800-637-1940
 (952) 461-3400



Swivel

1J, 2J

For drilling shot holes in marshes and jungles, for drilling household water wells, for use on light hydraulic rigs and small jetting rigs

These swivels incorporate materials best suited to the purposes. The parts are finished with the same care, and to the same precision requirements as our larger models.

The bearings are duplex, angular-contact type, mounted back to back. They are sealed in the housings, and provision is made for lubricating by means of a grease gun.

The housing parts are made of aluminum alloy castings for seismograph rigs and of nickel-iron for water well rigs.

The U-bolt bails are made of alloy steel and are heat-treated. The spindles and lower connections are also high grade steel.

The packing units consist of two molded, composition rubber rings. A hardened wear ring (wear bushing) is interposed between the rubber rings.

Weights and Dimensional Data

Type Swivel	Length, Inches	WT/lbs.		Lower Conn., NPT *	Hose Connection	Inside Diameter Watercourse
		Aluminum	Iron			
1J	13	10	15	1" Or 1 1/4"	1" female NPT or 1 1/4" male NPT	7/8" or 1 1/8"
2J	14	14	21	1 1/2" or 2"	1 1/2" NPT	1 1/2"

* Special connections, at additional cost, furnished on order.

Type J swivels, safe depths at 100 R.P.M.

1J, safe depth: 500 feet with 1 1/4" standard weight pipe.

2J, safe depth: 500 feet with 2" standard weight pipe.

Parts List for Type 1J Swivel

Part Number	Name of Part	Number Required	Weight		Spares for One Year Service
			lbs.	ozs.	
N1J01A	Gooseneck (Aluminum)	1	1	9	-
N1J01	Gooseneck (Iron)	1	4	2	-
N1J02	Bail w/Nuts	1	1	10	-
N1J03	Packing	2	-	1/4	6
N1J04	Wear Bushing	1	-	3	1
N1J05	Bearing Spindle	1	1	2	-
N1J06	Lower Connection	1	1	8	-
N1J07	Housing Seal	2	-	1	2
N1J08A	Bearing Housing (Aluminum)	1	1	8	-
N1J08	Bearing Housing (Iron)	1	4	-	-
N1J09	Bearings	2	1	11	2

Parts List for Type 2J Swivel

N2J01A	Gooseneck (Aluminum)	1	2	2	-
N2J01	Gooseneck (Iron)	1	5	10	-
N2J02	Bail w/Nuts	1	2	1	-
N2J03	Packing	2	-	1/2	6
N2J04	Wear Bushing	1	-	4	1
N2J05	Bearing Spindle	1	2	-	-
N2J06	Lower Connection	1	2	7	-
N2J07	Housing Seal	2	-	11/2	2
N2J08A	Bearing Housing (Aluminum)	1	2	-	-
N2J08	Bearing Housing (Iron)	1	5	8	-
N2J09	Bearings	2	2	4	2

To Renew Packing

1. Screw top nuts up one-half inch on bail.
2. Separate gooseneck from housing one-half inch.
3. Remove packings and wear bushing.
4. Insert new packings and wear bushings.
5. Screw nuts back tight