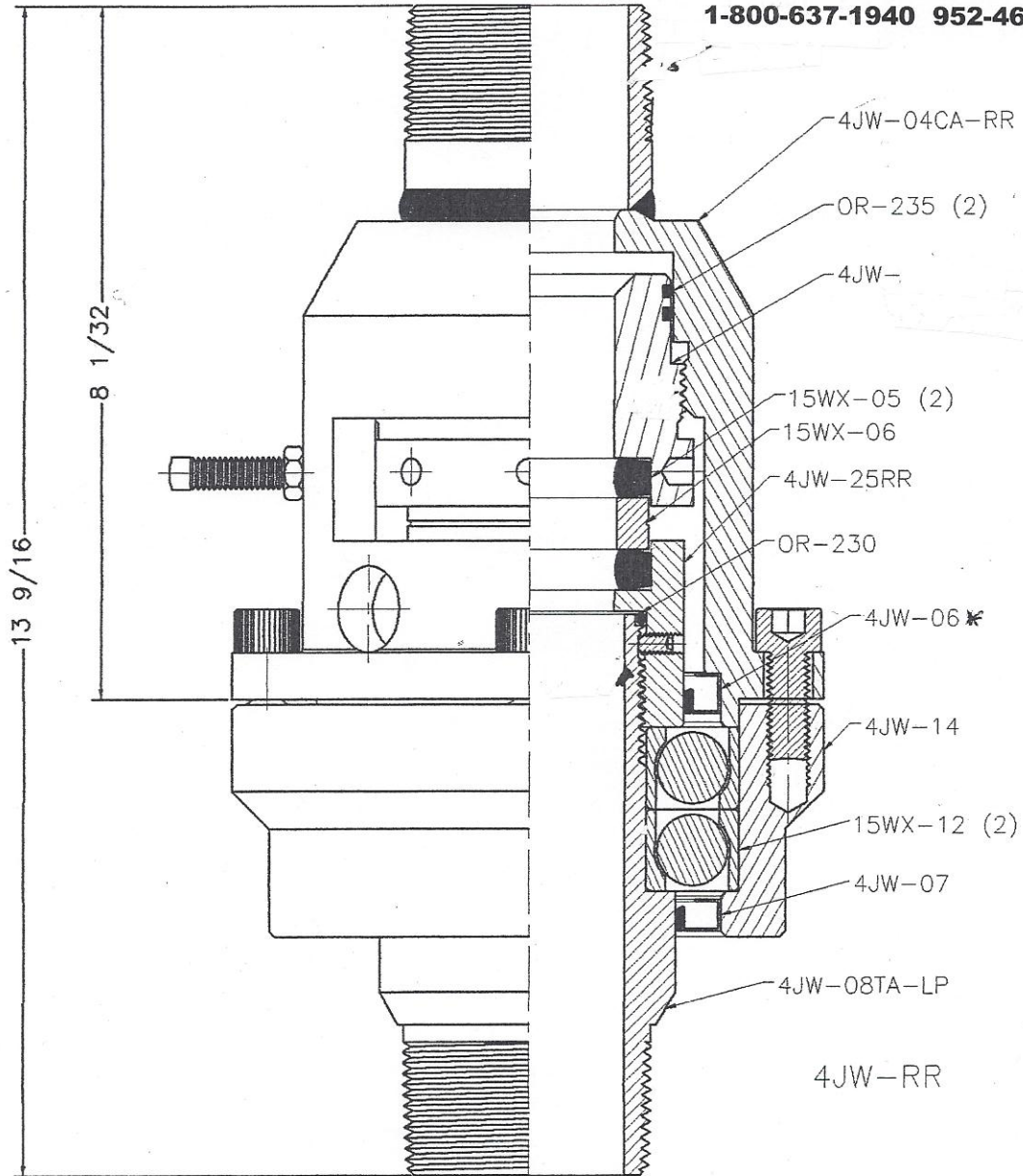


Tolerances Unless Otherwise Specified

Fractions = $\pm \frac{1}{64}$ "
 .X = $\pm .060$ "
 .XX = $\pm .025$ "
 .XXX = $\pm .005$ "
 Angles = $\pm \frac{1}{2}$ "
 Fillet Radii = $\pm .010$ " - $.031$ "
 External Corners = $.010$ " - $.020$ " X 45°
 Surface Finish = 125 Max
 Max T.I.R. = $\pm .002$ "

ECN No.	Rev	Drawn By	Date	Chk'd By	Date	Description
	--	--	--	--	--	-----

Distributor Contact:
NDS Drilling Supply, Inc.
26041 Newton Circle
Elko New Market, MN 55020
1-800-637-1940 952-461-3400



Part No.: 4JW-ADJ-RR-SWIVEL
 Name: ASSEMBLY W/ CALLOUTS

Description: ADJUSTABLE RUBBER RING PACKING
 ALL INFORMATION CONTAINED ON THIS DRAWING IS THE PROPERTY OF WESTERN RUBBER & MFG. CO. AND IS ONLY TO BE USED EXCLUSIVELY FOR THE PRODUCTION OF PRODUCT(S) FOR WESTERN RUBBER & MFG. CO.. DO NOT DUPLICATE.

MATERIAL:		MAT'L TYPE:	
Drawn By	Date	Chk'd By	Date
CPE	11-13-09		

DO NOT SCALE

WESTERN RUBBER
 & MFG. CO.

Drawing No.	Revision
PP-301	--