



# GENERAL

N.D.S. Drilling Supply  
26041 Newton Circle  
Elko, MN 55020  
Phone # 800-637-1940  
Fax # 952-461-3403

General Clamp and Tong, LLC is the Pipeline Industry's only source of external pipeline shipment clamps which offers an optional selection in cross-member bar design, and a choice of closure mechanisms. With these options, the contractor can order the clamp which will best do his job.

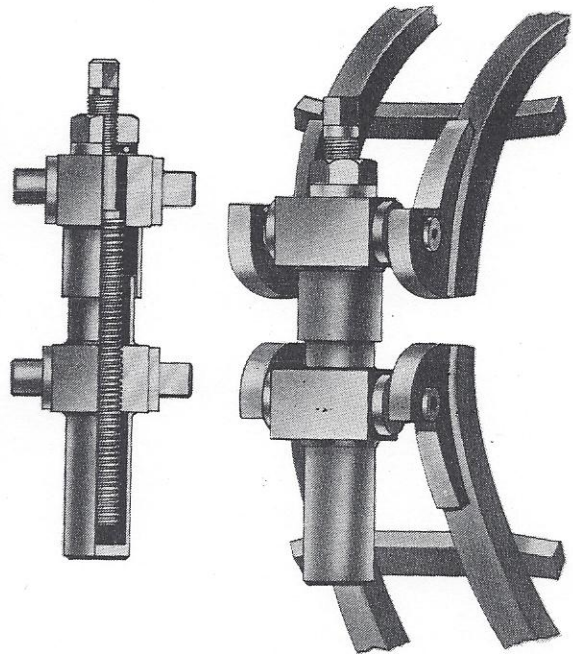
## GENERAL RATCHET

Precision cut Acme thread design insures great strength and easy operation.

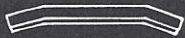
Standard one inch (1") ratchet wrench fits all sizes.

Operational mechanism is enclosed in protective housing to eliminate mud and dirt contamination.

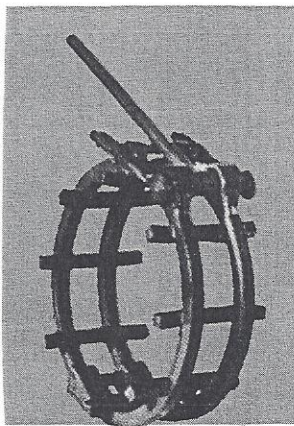
Optional features include standard crossbars, or General's arched "No Tack" bridgework that permits full circle welding.



### GENERAL STANDARD

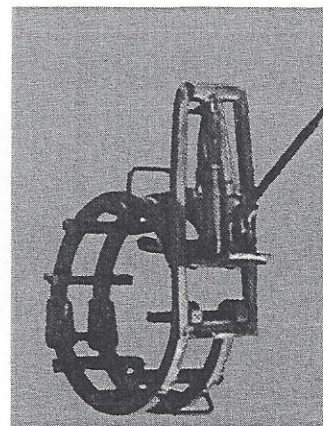


### FLAT CROSS BARS



#### HAND LEVER

Simple, quick, easy to use!  
Tightens with hand lever!  
Standard in the industry for over 50 years.



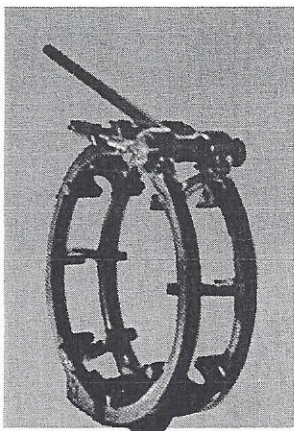
#### HYDRAULIC

Easy to use.  
Pulls down tight with hydraulic jack.

### GENERAL NO TACK

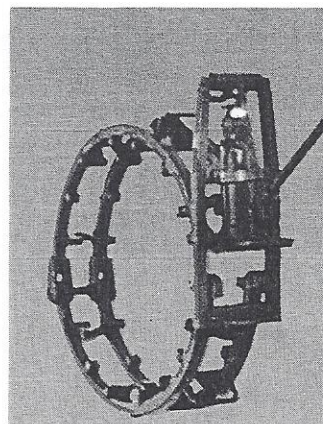


### ARCHED CROSS BARS



#### HAND LEVER

Arched cross bar permits full circle welding without moving clamp. Tightens with hand lever.



#### HYDRAULIC

Pulls down tight with hydraulic jack. Arched cross bar permits full circle welding without moving the clamp.