

Rotary Table Specifications (1000)

Mayhew 1000 - 603 - A & B

Type - Bottom or Top ring gear & pinion, enclosed oil bath

Standard Opening - 5" (5-1/4" optional)

Drive Type - Standard flat nut with 4-3/4" or optional 5-1/4" opening

Gear Ratio - 6.66 to 1

Input Speed - 52 HP at 1700 RPM

Weight - 295 lbs.

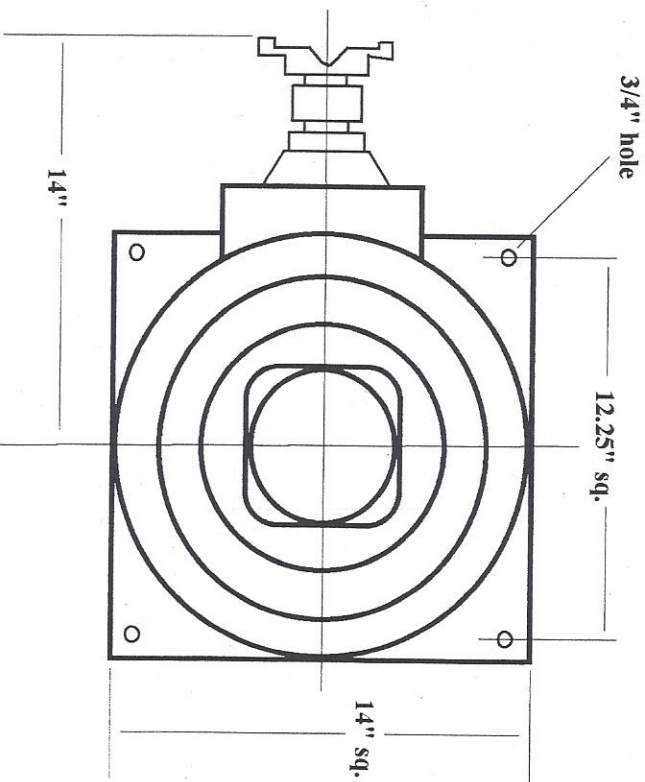
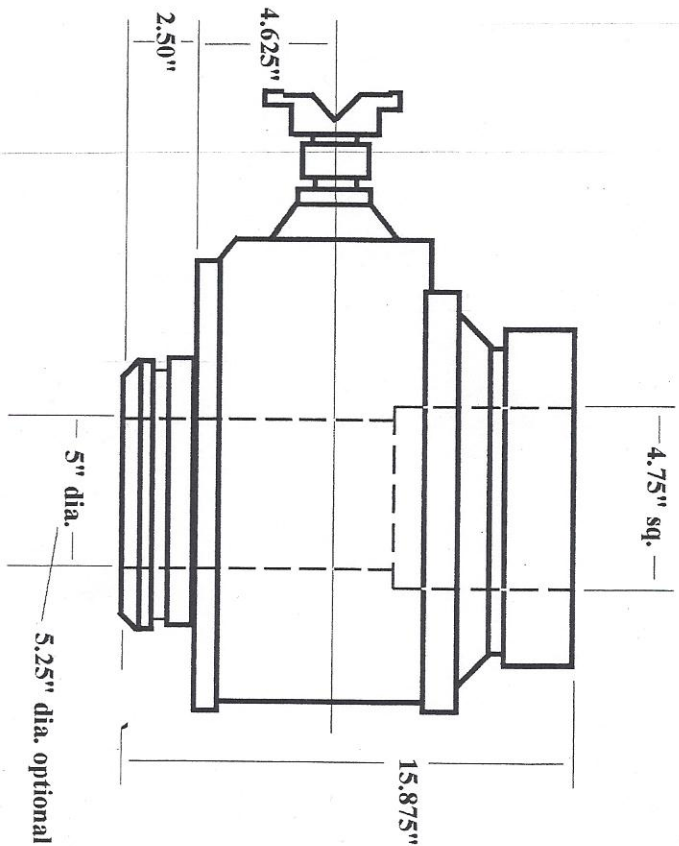
Pinion Gear - 6T Spiral bevel

Ring Gear - 40T Spiral Bevel

Max Torque - Pinion - 2,900 in. lb.

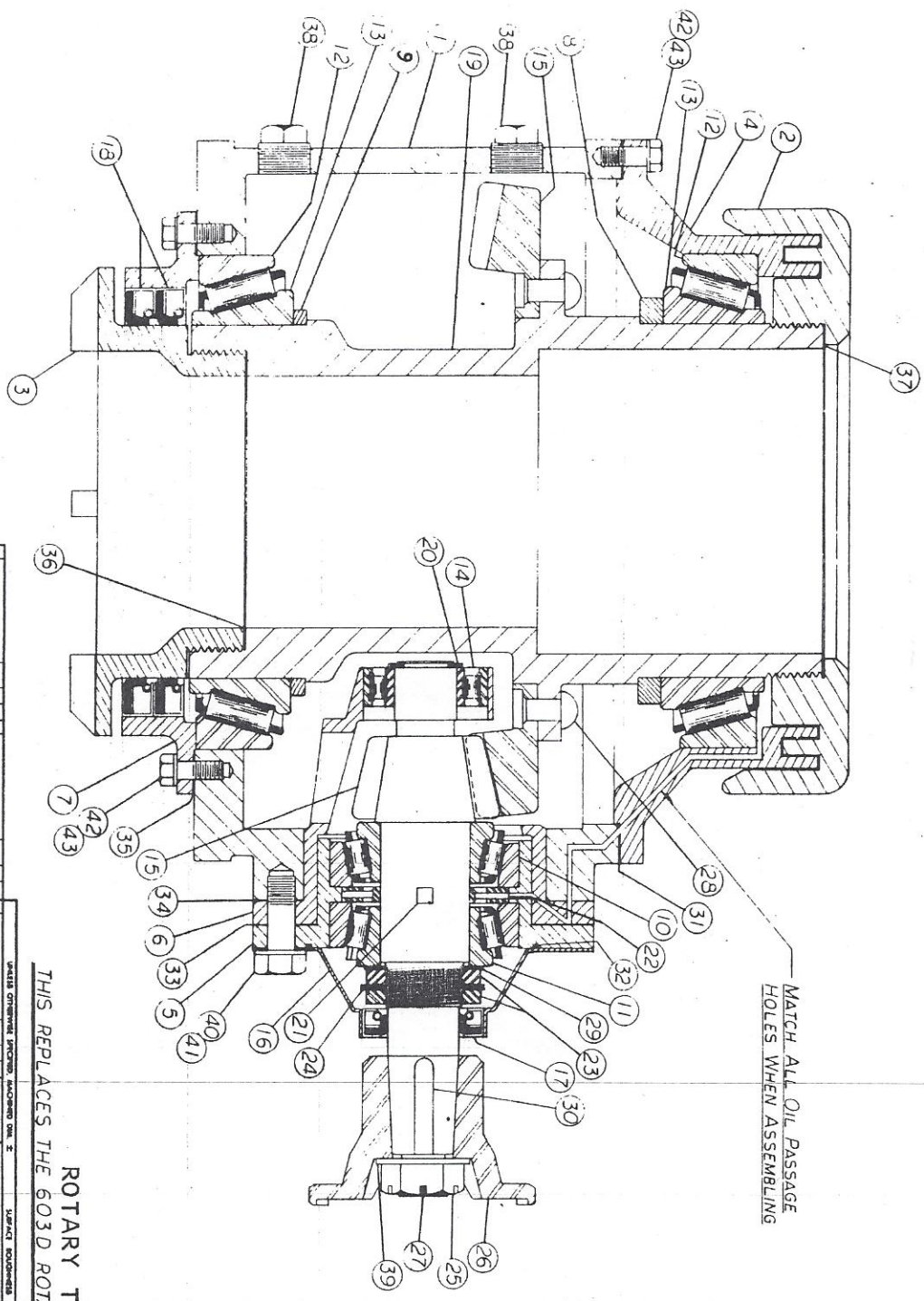
Ring Gear - 19,400 in. lb.

Pinion Shaft - 1-3/8" Taper /ft.



N.D.S. Drilling Supply
 26041 Newton Circle
 Elko, MN 55020
 Phone # 800-637-1940
 Fax # 952-461-3403

N.D.S. Drilling Supply
 26041 Newton Circle
 Elko, MN 55020
 Phone # 800-637-1940
 Fax # 952-461-3403



ROTARY TABLE
 THIS REPLACES THE 603 D ROTARY

PARTS LIST		QUANTITY		DESCRIPTION	
NO.	QTY	NO.	QTY	NO.	QTY
1	1	1	1	1	1
2	1	2	1	2	1
3	1	3	1	3	1
4	1	4	1	4	1
5	1	5	1	5	1
6	1	6	1	6	1
7	1	7	1	7	1
8	1	8	1	8	1
9	1	9	1	9	1
10	1	10	1	10	1
11	1	11	1	11	1
12	1	12	1	12	1
13	1	13	1	13	1
14	1	14	1	14	1
15	1	15	1	15	1
16	1	16	1	16	1
17	1	17	1	17	1
18	1	18	1	18	1
19	1	19	1	19	1
20	1	20	1	20	1
21	1	21	1	21	1
22	1	22	1	22	1
23	1	23	1	23	1
24	1	24	1	24	1
25	1	25	1	25	1
26	1	26	1	26	1
27	1	27	1	27	1
28	1	28	1	28	1
29	1	29	1	29	1
30	1	30	1	30	1
31	1	31	1	31	1
32	1	32	1	32	1
33	1	33	1	33	1
34	1	34	1	34	1
35	1	35	1	35	1
36	1	36	1	36	1
37	1	37	1	37	1
38	1	38	1	38	1
39	1	39	1	39	1
40	1	40	1	40	1
41	1	41	1	41	1
42	1	42	1	42	1
43	1	43	1	43	1

N.D.S. Drilling Supply
 26041 Newton Circle
 Elko, MN 55020
 Phone # 800-637-1940
 Fax # 952-461-3403

✓ 148163 1 of 2

DESCRIPTION, 148163

ITEM	QUAN.	PART NO.	DESCRIPTION	REV.	DATE	SPEC. CH #	REV.	DATE	SPEC. CH #	DATE	ASSEMBY NO	SHEET NO	1 OF	2	CR.	WEL. P.J.H.
1	1	109031	CASE													
2	1	110831	CAP													
3	1	*125475	BOTTOM NUT													
4	1	110342	COVER													
5	1	107326	PINION HOUSING													
6	1	146842	PILOT BEARING RETAINER													
7	1	110912	GREASE SEAL RETAINER													
8	1	108351	BEARING SPACER													
9	1	101090	BEARING SPACER													
10	2	106317	BEARING CUP													
11	2	106232	BEARING CONE													
12	2	106316	BEARING CUP													
13	2	106221	BEARING CONE													
14																
15	1	146829	PINION & GEAR													
			NOTE: RING GEAR & PINION MUST BE ORDERED IN MATCHED SETS.													
16	1	121796	GREASE SHIELD													
17	1	106645	GREASE SEAL													
18	2	106748	GREASE SEAL													
19	1	*123924	SLEEVE													
20																
21	1	101479	OIL IMPELLER KEY													
22	1	101599	OIL IMPELLER													
23	2	140125	PINION LOCKNUT													
24	1	140160	PINION LOCKWASHER													

THIS UNIT IS MODIFIED FOR THIS RIG. ITEMS MARKED * ARE DIFFERENT FROM STANDARD. WHEN ORDERING COMPLETE UNIT, SPECIFY ON ORDER
 ... MODIFIED FOR 10-3304/05

NAME: ROTARY TABLE ASSEMBLY WITH NEW PINION & RING GEAR
 SIZE: 148163
 DESCRIPTION: GARDNER - DENVER CO., DALLAS, TEXAS

REV.	DATE	SPEC. CH #	REV.	DATE	SPEC. CH #	DATE	ASSEMBY NO	SHEET NO	1 OF	2	CR.	WEL. P.J.H.
A	4-27-67					4-15-66		1				148163

N.D.S. Drilling Supply
 26041 Newton Circle
 Eiko, MN 55020
 Phone # 800-637-1940
 Fax # 952-461-3401

✓ 148163 2 of 2

ITEM	QUAN.	PART NO.	DESCRIPTION
25	1	100839	PINION NUT
26	1	121391	YOKE 4C
27	1	127269	COTTER PIN
28	12	126725	RIVET
29	1	121798	SPACER WASHER
30	1	126091	KEY
31	1	121017	GASKET
32	1	121016	GASKET
33	1	102529	GASKET
34	1	121016	GASKET
35	2	137965	GASKET
36	1	137966	GASKET
37	1	137967	GASKET
38	2	122286	OIL PLUG
39	1	101088	WASHER
40	6	105 423	CAPSCREW - 9/16 x 1-3/4 NF
41	6	121074	LOCKWASHER
42	24	125 660	CAPSCREW - 3/8 x 1-1/4 NF
43	24	121071	LOCKWASHER
NOTE: FOLLOWING ITEMS ARE INCLUDED WITH PINION GEAR.			
1 - ITEM 44 - 121 799 - SNAP RING			
1 - ITEM 45 - 146 924 - BEARING			

B

NAME: ROTARY TABLE ASSEMBLY WITH NEW PINION & ARMS GEAR
 SIZE: B
 DESCRIPTION: GARDNER DENVER CO., DALLAS, TEXAS

REV.	DATE	SPEC. CH #	REV.	DATE	SPEC. CH #
B	2-1-68	KERR			

DATE: 4-15-66
 SHEET NO: 2 OF 2
 W.R. PJR
 MODEL NO.
 ASSEM. NO.
 SPEC NO: 148163