

/ Mayhew 503

Type - Bottom or Top ring gear & pinion, enclosed oil bath

Standard Opening - 5-1/4"

Optional Opening - 5-5/8"

Drive Type - Locking

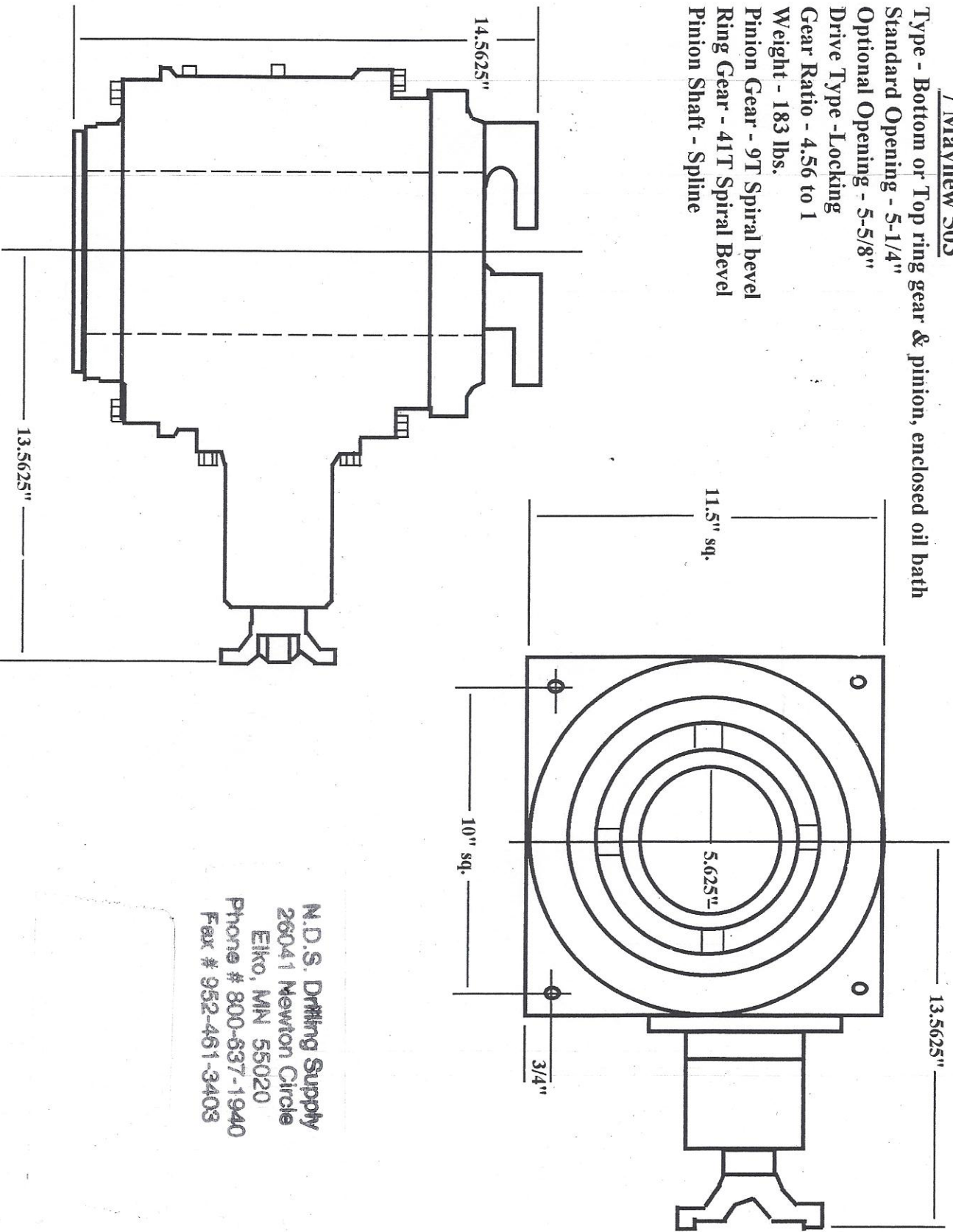
Gear Ratio - 4.56 to 1

Weight - 183 lbs.

Pinion Gear - 9T Spiral bevel

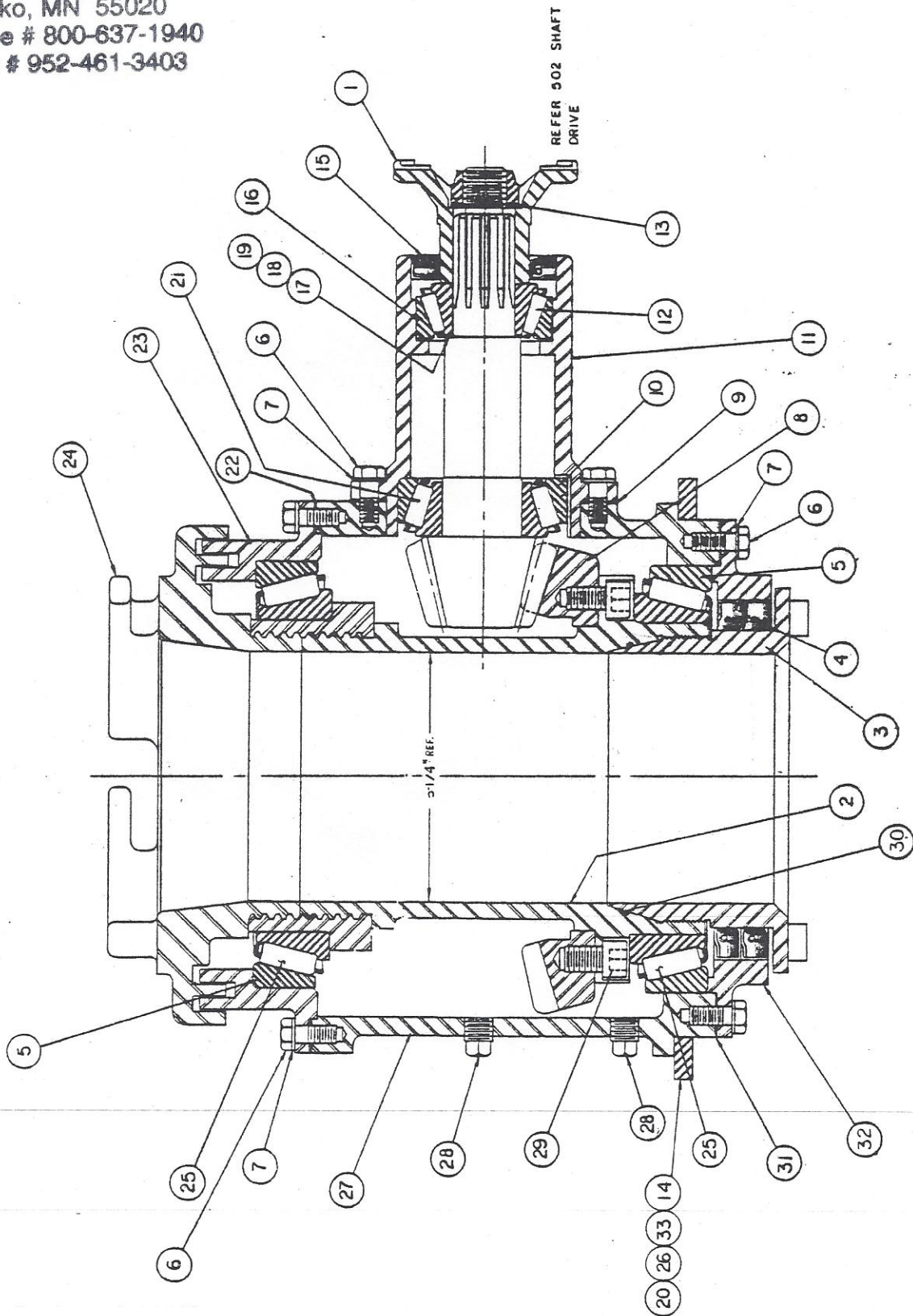
Ring Gear - 41T Spiral Bevel

Pinion Shaft - Spline



N.D.S. Drilling Supply
26041 Newton Circle
Eiko, MN 55020
Phone # 800-637-1940
Fax # 952-461-3403

N.D.S. Drilling Supply
 26041 Newton Circle
 Elko, MN 55020
 Phone # 800-637-1940
 Fax # 952-461-3403



GARDNER-DENVER CO
 DALLAS, TEXAS USA

TITLE
RETRACTING ROTARY TABLE ASSEMBLY

SHEET
 1 OF 1

PUBLICATION NO.
 194684

ITEM	QTY	PART NO.	DESCRIPTION
1	1	194680	YOKE
2	1	112051	ROTARY TABLE SLEEVE
3	1	110416	BOTTOM ROTARY NUT
4	2	106741	OIL SEAL
5	2	106306	CUP BEARING
6	32	105267	CAPSCREW
7	32	121071	LOCKWASHER
8	1	5825798.	RING & PINION GEAR
9	1	102618	GASKET
10	1	106313	CUP BEARING
11	1	110418	PINION HOUSING CARRIER
12	1	106224	CONE BEARING
13	1	100819	WASHER
14	4	105156	CAPSCREW
15	1	106665	OIL SEAL
16	1	106309	CUP BEARING
17	1	121146	SHIM
18	1	123840	SHIM
19	1	123838	SHIM
20	4	121072	LOCKWASHER
21	1	106226	CONE BEARING
22	1	102617	GASKET
23	1	107143	ROTARY TABLE COVER
24	1	164397	TOP ROTARY NUT
25	2	106220	CONE BEARING
26	4	120292	NUT
27	1	143885	ROTARY RETRACTING CASE
28	2	122838	PIPE PLUG
29	12	123409	CAPSCREW
30	1	108513	O-RING
31	1	102619	HASKET
32	1	107144	SEAL RETAINER
33	2	155701	RETRACT ROTARY PLATE

N.D.S. Drilling Supply
 26041 Newton Circle
 Elko, MN 55020
 Phone # 800-637-1940
 Fax # 952-461-3403



GARDNER-DENVER CO
 DALLAS, TEXAS USA

TITLE MODEL 500
 RETRACTING ROTARY TABLE ASSEMBLY

SHEET
 1 OF 1

PUBLICATION NO.
 194684