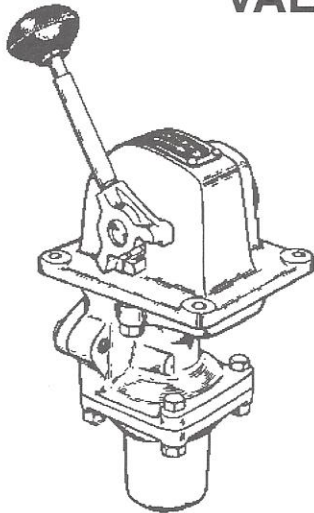


“WABCO CONTROL VALVES”

H-2 CONTROLAIR® VALVE



The H-2 Type CONTROLAIR Valve is a handle operated, 3-way normally closed, open exhaust pressure control valve. There are 3 models of the H-2 Type CONTROLAIR Valve, identical in operation but differing in handle characteristics:

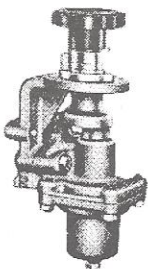
H-2-X CONTROLAIR Valve — Handle is self returning to minimum pressure position from all positions in the handle travel arc.

H-2-LX CONTROLAIR Valve — Handle latches in the maximum pressure position but is self returning to minimum position from all other positions in the handle travel arc.

H-2-FX CONTROLAIR Valve — Handle is equipped with a friction brake that will hold the handle in any position selected in the handle travel arc.

H-4 CONTROLAIR® VALVE

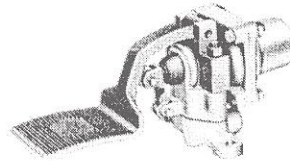
The H-4 CONTROLAIR Valve is a knob operated, 3-way pressure regulating valve. Arranged for panel mounting, this valve gives fine, vernier type pressure control in one delivery line. The knob holds in all positions and has adjustable stops to limit maximum and minimum travel.



Clockwise rotation of the knob increases pressure in the standard models. Opposite knob action is available.

Approximate weight: 5-1/2 lbs.

H-1-A CONTROLAIR® VALVE



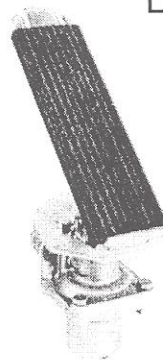
The H-1-A CONTROLAIR Valve is a pedal actuated 3-way pressure regulating valve that is designed for installations in which its operator is standing or in which part of the valve cannot extend below floor level.

Depressing its pedal increases the outlet pressure. Raising the pedal decreases the outlet pressure. The pedal is self-returning.

This valve is suitable for industrial control and any use where foot operated pressure control is desired.

Approximate weight: 6-1/2 lbs.

H-1 CONTROLAIR® VALVE LIGHT PEDAL FORCE



This economical version of the H-1 operates identically to the standard H-1, but has a considerably lighter pedal force that makes it especially suited for throttle controls. This model also offers an alternative piping arrangement as the valve portion from the H-2 version is utilized. A formed steel pedal with a rubber tread is utilized on this model.

Approximate weight: 6 lbs.

2HA-2 SHORT CONTROLAIR® VALVE

