

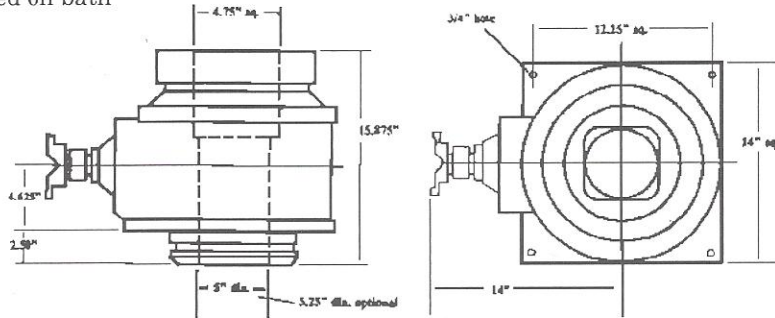
ROTARY TABLES

NDS specializes in rebuilding all makes and sizes of Rotary Tables

Rotary Table Specifications (1000)

Type - Bottom or Top ring gear & pinion, enclosed oil bath
 Standard Opening - 5" (5-1/4" optional)
 Drive Type - Standard flat nut with 4-3/4" or optional 5-1/4" opening
 Gear Ratio - 6.66 to 1
 Input Speed - 52 HP at 1700 RPM
 Weight - 295 lbs.
 Pinion Gear - 6T Spiral bevel
 Ring Gear - 40T Spiral bevel
 Max Torque - Pinion - 2,900 in. lb.
 Ring Gear - 19,400 in. lb.
 Pinion Shaft - 1-3/8" Taper/ft.

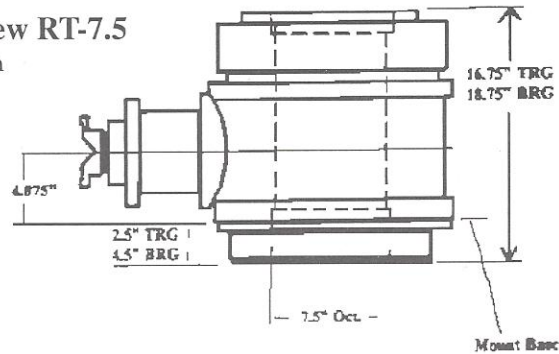
Mayhew 1000 - 603 -A & B



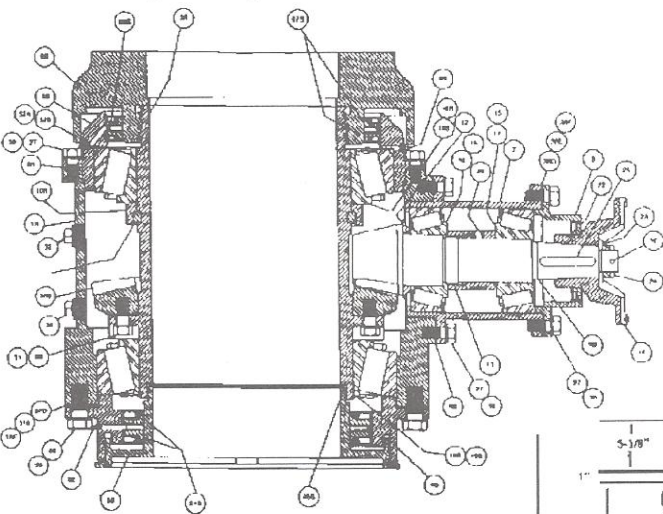
Rotary Table Specifications (2003)

Type - Bottom or Top ring gear & pinion, enclosed oil bath
 Standard Opening - 7.5"
 Drive Type - 7-1/2" Octagon
 Load Capacity @ 50 RPM - 5,220 in. lbs.
 Gear Ratio - 5.86 to 1
 Weight (less master bushing) - 480 lbs.
 Weight (with master bushing) - 538 lbs.
 Pinion Gear - 7T Spiral bevel
 Ring Gear - 41T Spiral bevel
 Pinion Shaft - 1-5/8" Taper/ft.

Mayhew RT-7.5



Rotary Replacement For: SpeedStar Midway - Mayhew - Gardner Denver

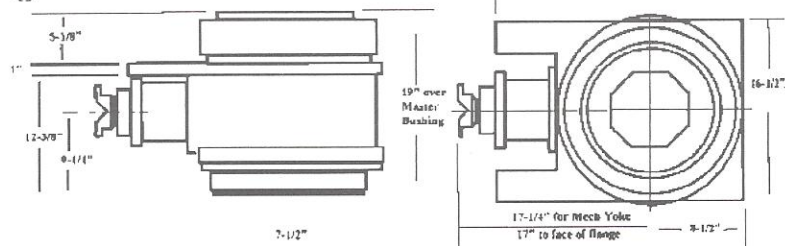


8-1/2" 2003-S Rotary Table Assembly

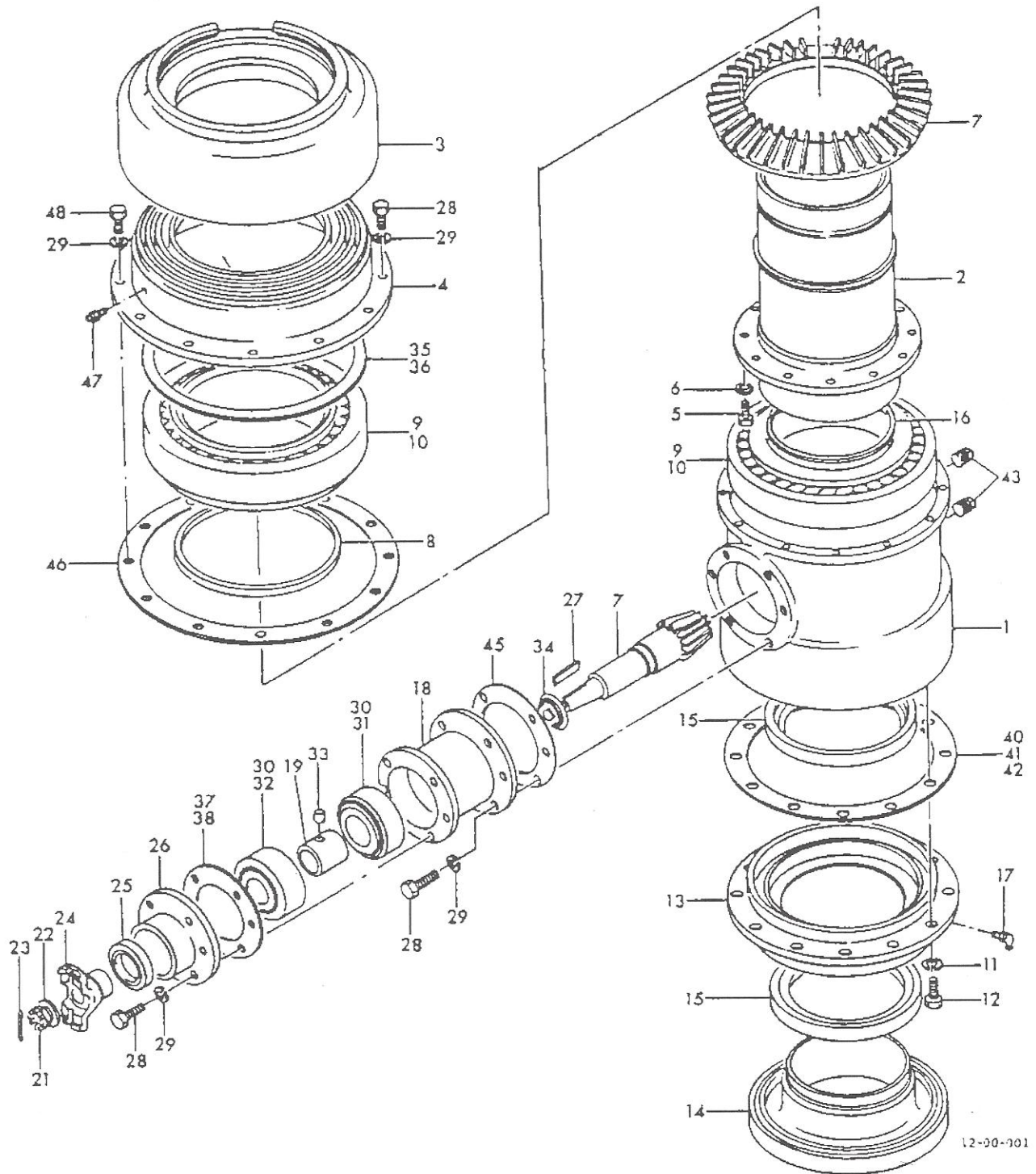
Rotary Table Specifications (2003-F)

Mayhew RT-7.5 (Failing interchangeable)

Type - Bottom or Top ring gear & pinion, enclosed oil bath
 Standard Opening - 7.5"
 Drive Type - 7-1/2" Octagon
 Load Capacity @ 50 RPM - 5,220 in. lb.
 Gear Ratio - 5.86 to 1
 Weight (less master bushing) - 480 lbs.
 Weight (with master bushing) - 538 lbs.
 Pinion Gear - 7T Spiral bevel
 Ring Gear - 41T Spiral bevel
 Pinion Shaft - 1-5/8" Taper/ft.



ROTARY ASSEMBLY (7-1/2")



12-90-101