

PETOL RIG WRENCH

N.D.S. Drilling Supply
 26041 Newton Circle
 Elko, MN 55020
 Phone # 800-637-1940
 Fax # 952-461-3403



The PETOL RIG WRENCH provides a faster and safer method of making up or breaking out drill pipe on water well and blast hole drilling rigs.

The wrench is self-adjusting and has perfect ratcheting action. Specially designed hand grips enable the operator to apply and remove the wrench with ease.

The added expense of hook jaw and insert breakage is greatly reduced through the PETOL Rig Wrench's nonjamming feature and rugged design. Because PETOL Inserts are seated in dovetail slots, they will not shear from the wrench during use.

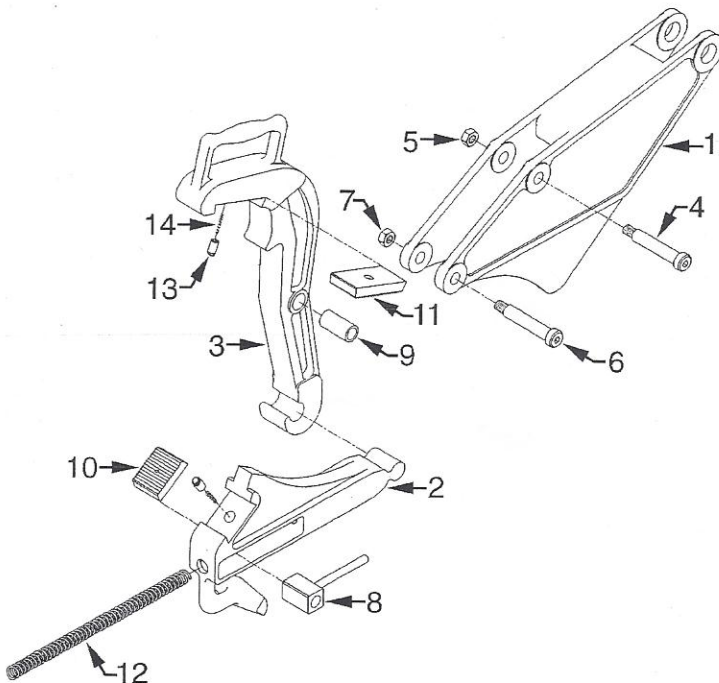
CATALOG NO.	O.D.*	GRIPPING WIDTH	TORQUE ARM LENGTH	WEIGHT	MAXIMUM WORKING LOAD
PRWA01	3-1/2" - 5"	2.25"	approx. 18"***	53 lbs.	16,000 ft.-lbs.
PRWA01-D	3-1/2" - 5"	2.25"	approx. 22"***	55 lbs.	16,000 ft.-lbs.

* USE T-7 INSERTS FOR 3-1/2" O.D. ONLY.

** TORQUE ARM LENGTH WILL VARY FROM 17.38" to 19.38" DEPENDING ON O.D. BEING WORKED.

*** TORQUE ARM LENGTH WILL VARY FROM 21.25" to 22.63" DEPENDING ON O.D. BEING WORKED.

WARNING!
 Protect yourself and others from
SERIOUS INJURY OR DEATH!
 Do Not Exceed Maximum Working Load!
 Follow OSHA, NSC, etc. standards, safe practices,
 and procedures.



KEY NO.	ITEM DESCRIPTION	NO. REQ'D.
1	HANDLE	1
2	LOWER JAW	1
3	UPPER JAW	1
4,5	UPPER JAW BOLT & NUT	1
6,7	LOWER JAW BOLT & NUT	1
8	LOWER JAW BUSHING	1
9	UPPER JAW BUSHING	1
10	LOWER JAW INSERT	1
11	UPPER JAW INSERT	1
12	SPRING	1
13	INSERT KEY	2
14	INSERT KEY SPRING	2