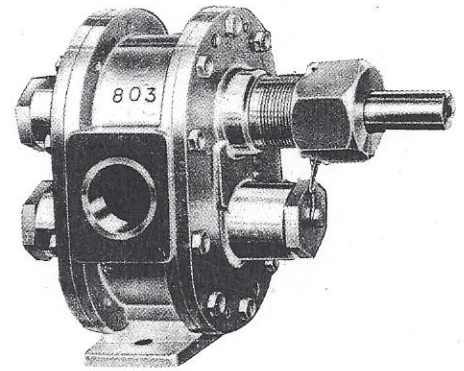


" 9100 " Series

BUSHING TYPE

PARTS LIST



1-1/4-INCH BUSHING TYPE PUMP

PART NUMBER	DESCRIPTION	PART NUMBER	DESCRIPTION
9100	Bronze Bowie Pump w/Hy Car Rubber Gears and Stainless Steel Shafts	9100/B	Bronze Bowie Pump w/Hy Car Gears and Stainless Steel Shafts and Bypass

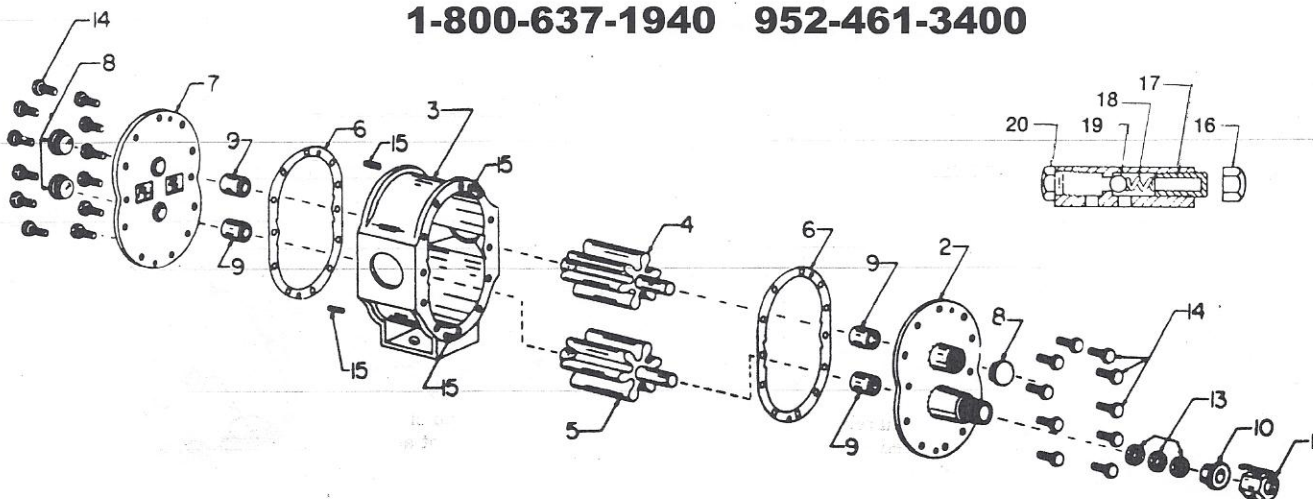
Available options: extended drive shaft

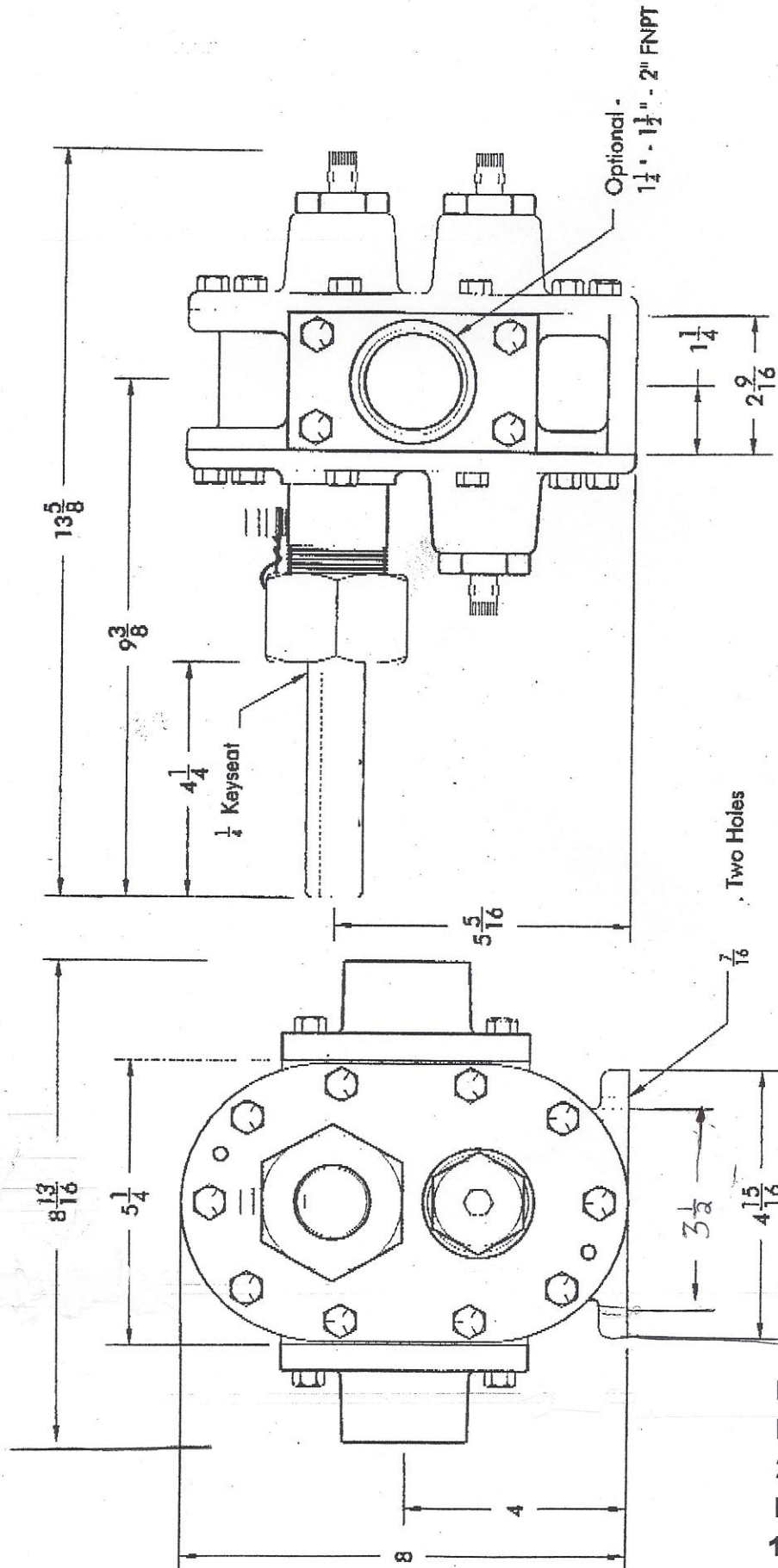
PARTS

REF NO	PART NUMBER	DESCRIPTION	NO REQ	REF NO	PART NUMBER	DESCRIPTION	NO REQ
1	9101	Packing Nut	1	8	108	End Plugs	3
2	9102	Front Plate	1	9	109B	Bronze Bushings	4
3	9103	Center Case	1	9	109T	Glass Filled Teflon Bushing	4
4	104	Gear (Hy Car) with Stainless Steel Idler Shaft	1	10	110	Packing Gland Insert	1
4	104B	Gear (Brass) With Stainless Steel Idler Shaft	1	13	113	Graphite Asbestos Packing	3
4	104SSA	Stainless Steel Idler Shaft Only	1	13	113T	Teflon Packing	3
5	105	Gear (Hy Car) With Stainless Steel Drive Shaft	1	14	114	End Plate Bolts	20
5	105B	Gear (Brass) With Stainless Steel Drive Shaft	1	15	115	Taper Pins	4
5	105SSA	Stainless Steel Drive Shaft Only	1	16	116	Nut	1
6	106	Pump Gaskets	7	17	123	Adjusting Bypass Screw	1
7	9107	Back Plate	1	18	124	Bypass Spring	1
7	9107A	Bypass Back Plate Complete		19	125	Bypass Ball	1
				20	126	Bypass Cap	1

NOTE: Four digit part numbers beginning with #9 denotes parts for 91 series Pump only.
 Four digit part numbers beginning with #8 denotes parts for 81 series Pump only.
 Three digit part numbers represent parts that are interchangeable between the 81 & 91 series pumps.

NDS Drilling Supply, Inc.
26041 Newton Circle
Elko New Market, MN 55020
1-800-637-1940 952-461-3400





BOWIE INDUSTRIES, INC

Tolerances (except as noted)

Decimal .XXX ± .003
 Fractional ± 1/16
 .XX ± .01
 Concentric .001
 Angular ± 1°

8100/9100 Series Upper Drive

Site	Part No.	Material	Scale	Sheet
A	9100 SS	81-91-U	1:3	1
Date	10/28/99			
File	0			

Distributor Contact:
NDS Drilling Supply, Inc.
 26041 Newton Circle
 Elko New Market, MN 55020
 1-800-637-1940 952-461-3400

SERIES 8100 • 9100 SIZE: 1¼" - 1½"

BOWIE PUMP RATINGS FOR 1¼" PUMP SIZES				
FLUID KEROSENE/H₂O				
Pump RPM	Temperature of Fluid °F	Discharge-Pressure	Capacity GPM	Brake Horsepower
520	93.5	0	32.6	1.15
520	93.5	20	31.8	1.75
520	93.5	40	31.3	2.00
520	93.5	60	30.5	2.90
520	93.5	80	30.6	3.54
520	101.5	100	29.7	4.19
780	101.5	0	48.0	2.12
780	101.5	20	46.9	2.93
780	101.5	40	46.5	3.76
780	108.0	60	46.2	4.98
780	108.0	80	46.2	6.13
780	120.0	100	45.3	6.87

NDS Drilling Supply, Inc.
26041 Newton Circle
Elko New Market, MN 55020
1-800-637-1940 952-461-3400