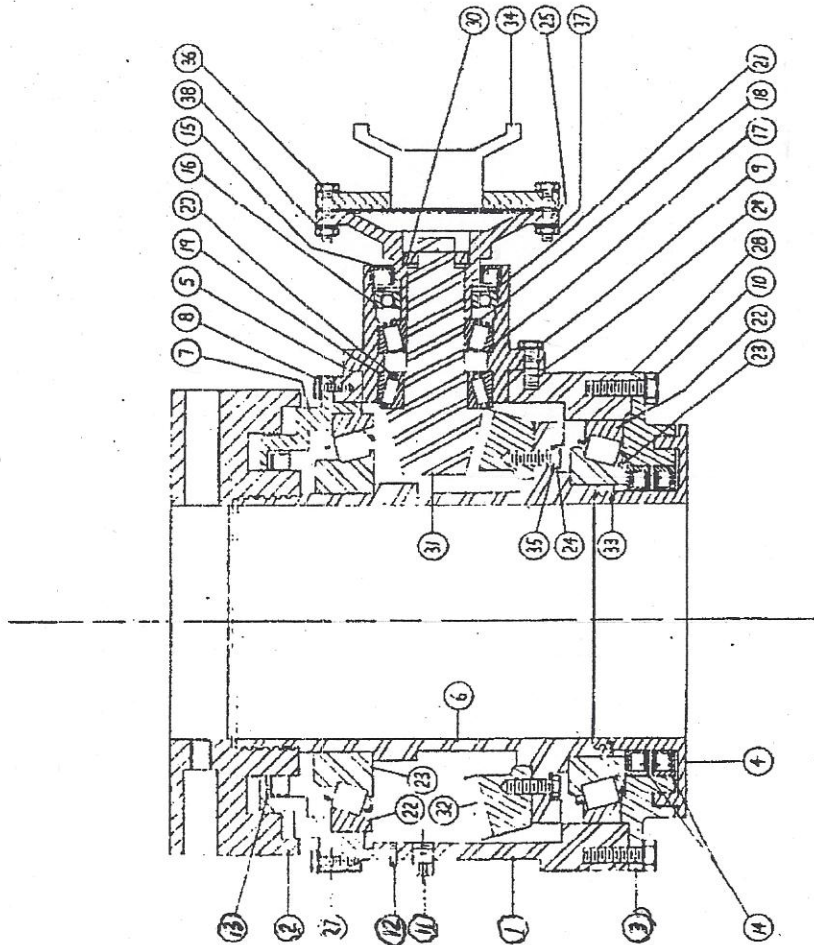


N.D.S. Drilling Supply
 26041 Newton Circle
 Eiko, MN 55020
 Phone # 800-637-1940
 Fax # 952-461-3403



| BILL OF MATERIALS | | DESCRIPTION |
|-------------------|----------------|--------------------|
| QTY | PART NO. | |
| 1 | MIDWAY 08-0503 | CASE |
| 2 | MIDWAY 08-0506 | CAP |
| 3 | MIDWAY 08-0504 | BOTTOM BEARING CAP |
| 4 | MIDWAY 28-3525 | BOTTOM BOLT |
| 5 | MIDWAY 08-0505 | PINION HOUSING |
| 6 | MIDWAY 08-0502 | SLEEVE |
| 7 | MIDWAY 18-0504 | TOP BEARING CAP |
| 8 | MIDWAY 08-0501 | BOLT AND WASHER |
| 9 | MIDWAY 08-0501 | BOLT AND WASHER |
| 10 | MIDWAY 08-0501 | BOLT AND WASHER |
| 11 | MIDWAY 08-0501 | BOLT AND WASHER |
| 12 | MIDWAY 08-0501 | BOLT AND WASHER |
| 13 | MIDWAY 08-0501 | BOLT AND WASHER |
| 14 | MIDWAY 08-0501 | BOLT AND WASHER |
| 15 | MIDWAY 08-0501 | BOLT AND WASHER |
| 16 | MIDWAY 08-0501 | BOLT AND WASHER |
| 17 | MIDWAY 08-0501 | BOLT AND WASHER |
| 18 | MIDWAY 08-0501 | BOLT AND WASHER |
| 19 | MIDWAY 08-0501 | BOLT AND WASHER |
| 20 | MIDWAY 08-0501 | BOLT AND WASHER |
| 21 | MIDWAY 08-0501 | BOLT AND WASHER |
| 22 | MIDWAY 08-0501 | BOLT AND WASHER |
| 23 | MIDWAY 08-0501 | BOLT AND WASHER |
| 24 | MIDWAY 08-0501 | BOLT AND WASHER |
| 25 | MIDWAY 08-0501 | BOLT AND WASHER |
| 26 | MIDWAY 08-0501 | BOLT AND WASHER |
| 27 | MIDWAY 08-0501 | BOLT AND WASHER |
| 28 | MIDWAY 08-0501 | BOLT AND WASHER |
| 29 | MIDWAY 08-0501 | BOLT AND WASHER |
| 30 | MIDWAY 08-0501 | BOLT AND WASHER |
| 31 | MIDWAY 08-0501 | BOLT AND WASHER |
| 32 | MIDWAY 08-0501 | BOLT AND WASHER |
| 33 | MIDWAY 08-0501 | BOLT AND WASHER |
| 34 | MIDWAY 08-0501 | BOLT AND WASHER |
| 35 | MIDWAY 08-0501 | BOLT AND WASHER |
| 36 | MIDWAY 08-0501 | BOLT AND WASHER |
| 37 | MIDWAY 08-0501 | BOLT AND WASHER |
| 38 | MIDWAY 08-0501 | BOLT AND WASHER |

Drawn By: **587-4414**

| | | |
|----------------------|----------------------------|--------------------------|
| DATE: HALF | SCALE: 1/2" = 1'-0" | REVISED: 08-0500D |
| BY: 587-4414 | CHECKED: 587-4414 | DATE: 08-0500D |
| APP: 587-4414 | DATE: 08-0500D | REVISED: 08-0500D |