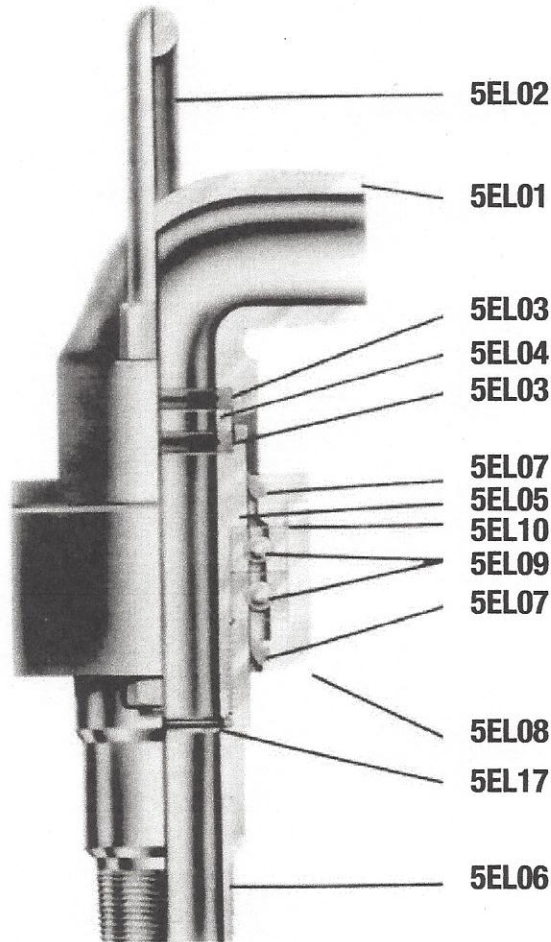


Swivel

5EL, 5PEL*

N.D.S. Drilling Supply
26041 Newton Circle
Elko, MN 55020
Phone # 800-637-1940
Fax # 952-461-3403



For drilling shallow to medium depth water wells and for use on light to medium hydraulic rigs
For deeper wells and heavier load capacities that cannot be accommodated by the King 2J Swivel. The bearings are duplex, angular-contact type, mounted back to back. They are sealed in the housings, which are designed to permit lubrication with a grease gun.

Spindles and lower connections are also of high grade steel. Packing consists of two molded, composition rubber rings. A hardened wear ring (wear bushing) is interposed between the rubber rings.

**Note: Type 5PEL (not shown) is similar in construction to the 5EL except for its gooseneck, which is similar to the PXV.*

Weight and Dimensional Data

Length	Weight	Lower Connection, NPT	Hose Connection	Diameter Watercourse
16 1/4"	35 lbs.	2" LH or RH	2" NPT	2"

Parts List for Type 5EL Swivel

Part Number	Name of Part	Number Required	lbs.	ozs.
N5EL01	Gooseneck	1	10	12
N5EL02	Bail w/Nuts	1	5	4
N5EL03	Packing	2
N5EL04	Wear Bushing	1	..	4
N5EL05	Spindle	1	2	8
N5EL06	Lower Connection	1	4	..
N5EL07	Housing Seal	2	..	2
N5EL08	Bearing Housing	1	8	..
N5EL09	Bearings	2	3	8
N5EL17	Spindle Thread Seal	1	..	2
N5PEL01	Gooseneck	1	11	12