

3 X 4 MISSION MAGNUM SANDMASTER

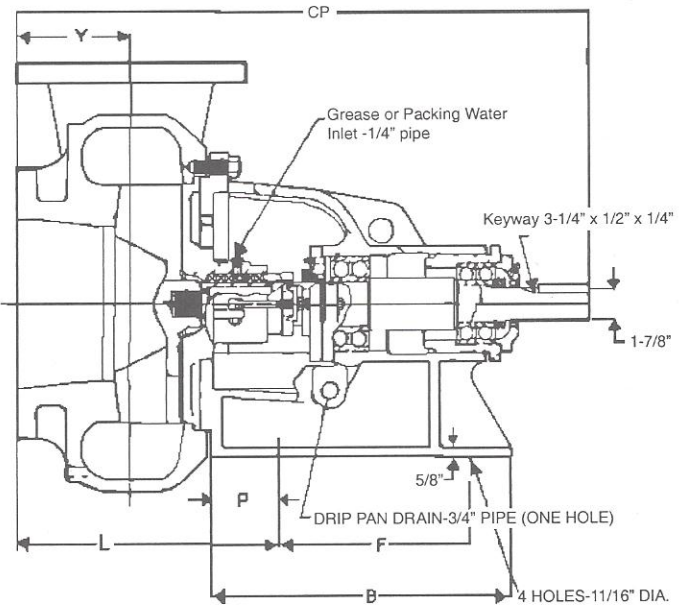
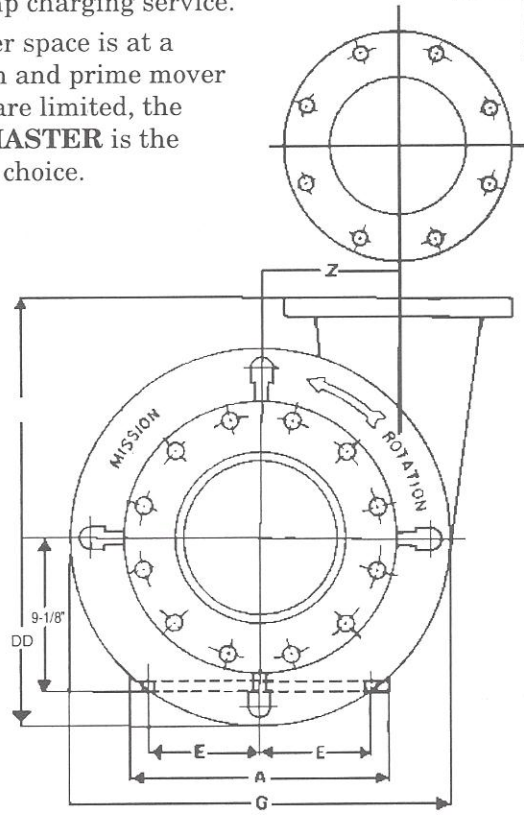
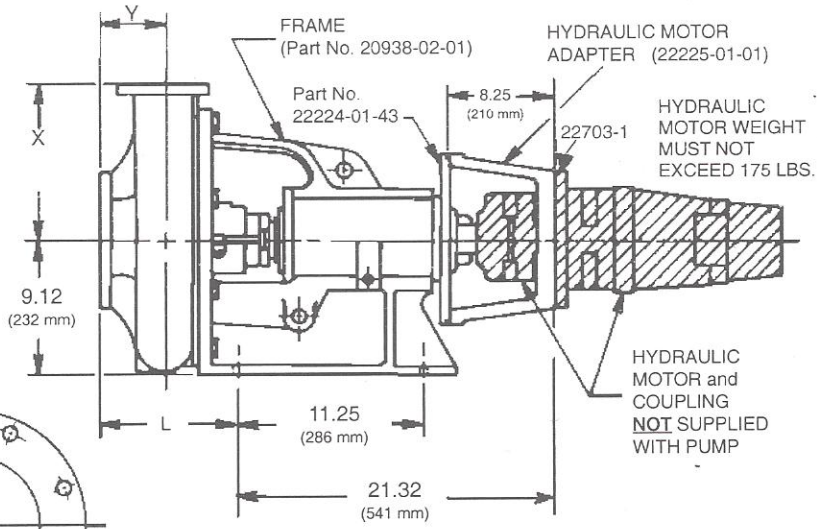
SANDMASTER with a hydraulic motor adapter.

Compact and adaptable

The SANDMASTER centrifugal pump includes virtually all the features of the MAGNUM I.

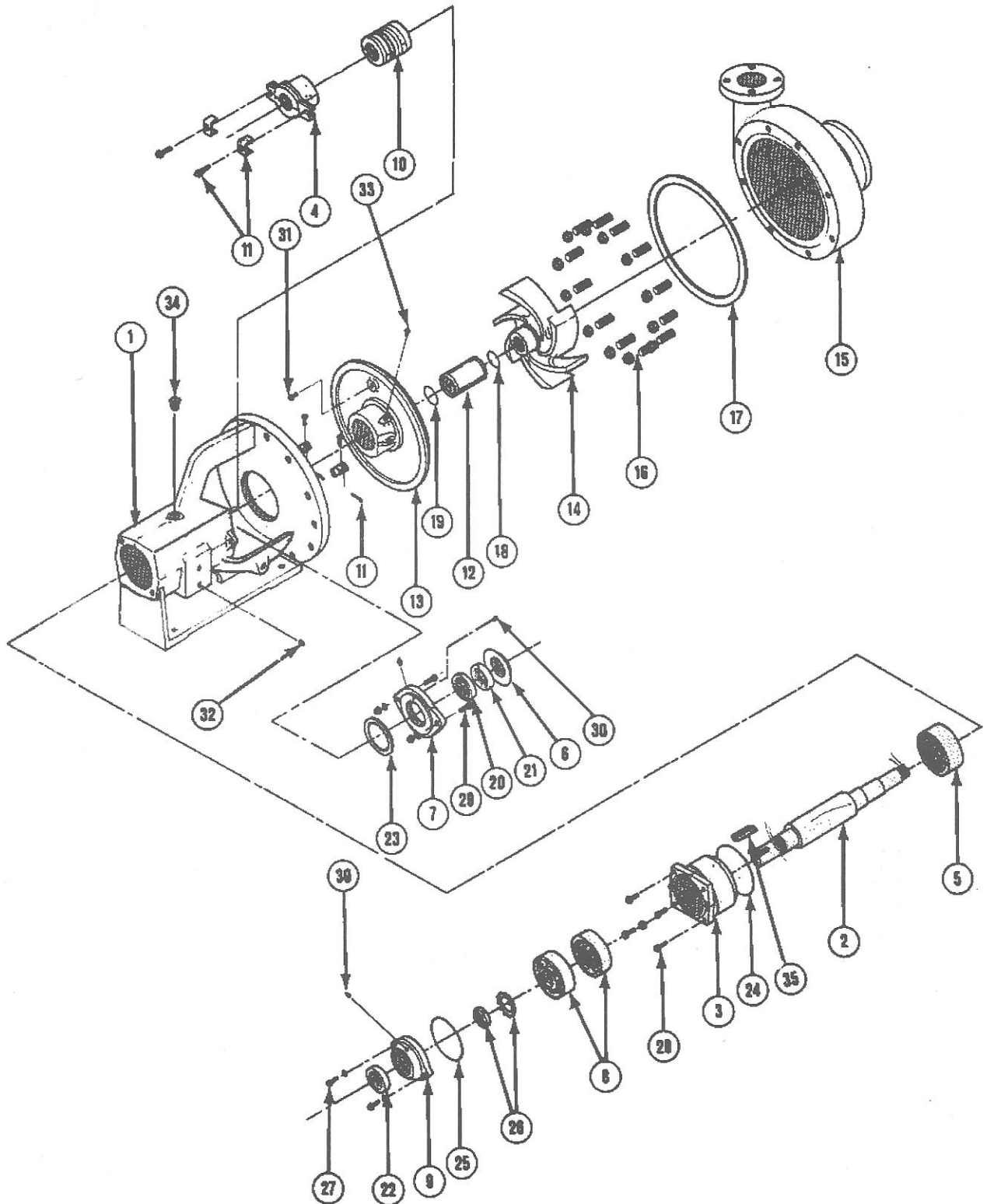
The SANDMASTER is more compact in design and can be adapted for hydraulic motor drive (as illustrated in the drawing). These added features make the SANDMASTER ideal for use in applications such as oilfield frac trucks. It can be used for blending and pump charging service.

Wherever space is at a premium and prime mover options are limited, the SANDMASTER is the pump of choice.



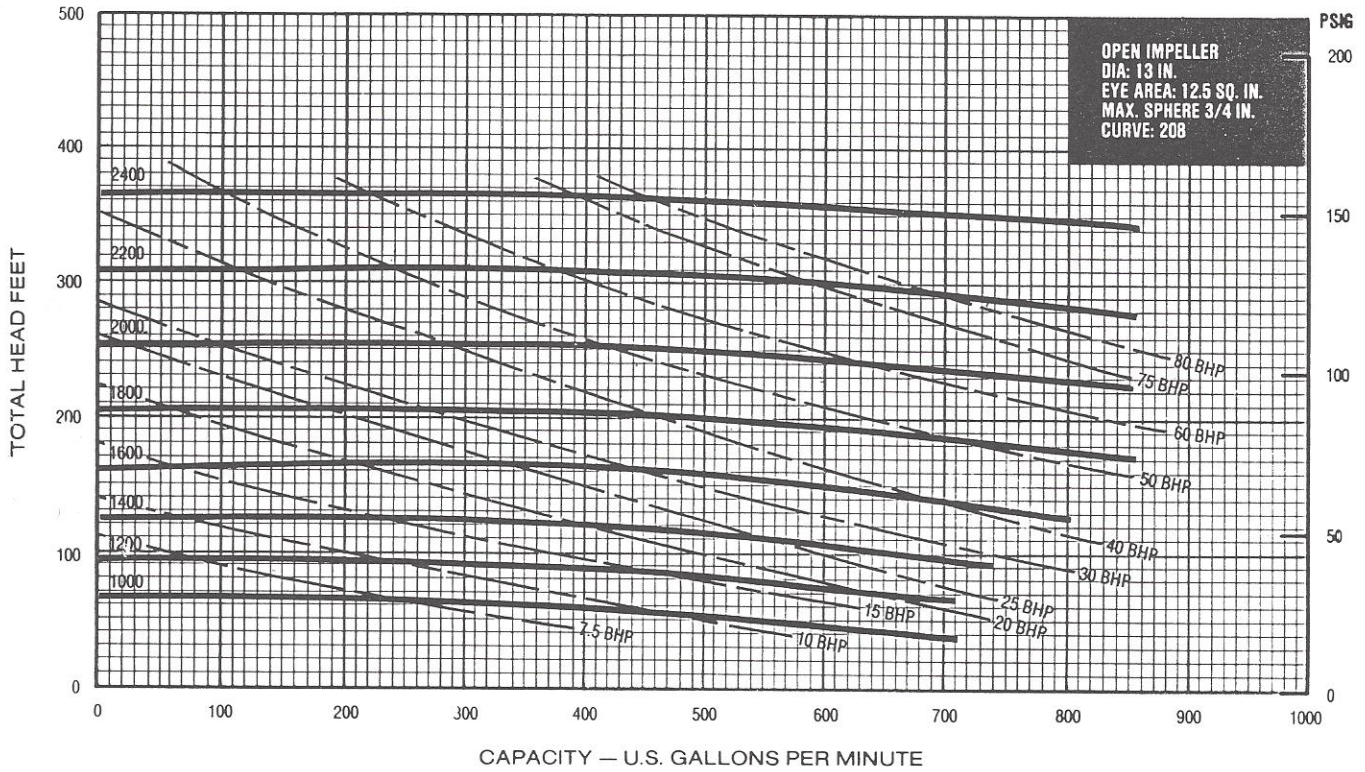
Pump Size	Dimensions In Inches											WT. LBS.	
	A	B	E	F	G	L	P	X	Y	Z	CP		DD
3x2x13	15 1/4	17 3/4	6 9/16	11 1/4	17 7/8	10 7/16	4	10 1/4	3 3/4	7	28 13/16	8 15/16	475
4x3x13	15 1/4	17 3/4	6 9/16	11 1/4	17 7/8	11 1/16	4	10 1/4	4 1/4	6 3/4	29 7/16	8 15/16	491
5x4x14	15 1/4	17 3/4	6 9/16	11 1/4	19	12 7/16	4	11	5	6 1/8	30 13/16	9 1/2	520
6x5x11	15 1/4	17 3/4	6 9/16	11 1/4	17 7/8	13 3/4	4	11	5 3/4	6	32 1/8	8 15/16	550
6x5x14	15 1/4	17 3/4	6 9/16	11 1/4	21	13 3/4	4	11	5 3/4	6	32 1/8	10 1/2	609
8x6x11	15 1/4	17 3/4	6 9/16	11 1/4	20	14 15/16	4	14	6 1/4	8 3/8	33 5/16	10	659
8x6x14	15 1/4	17 3/4	6 9/16	11 1/4	23 9/16	14 15/16	4	14	6 1/4	8 3/8	33 5/16	11 13/16	701
10x8x14	15 1/4	17 3/4	6 9/16	11 1/4	22 3/8	15 3/8	4	14 3/16	6 11/16	8	33 3/4	11 3/16	705

250 SERIES

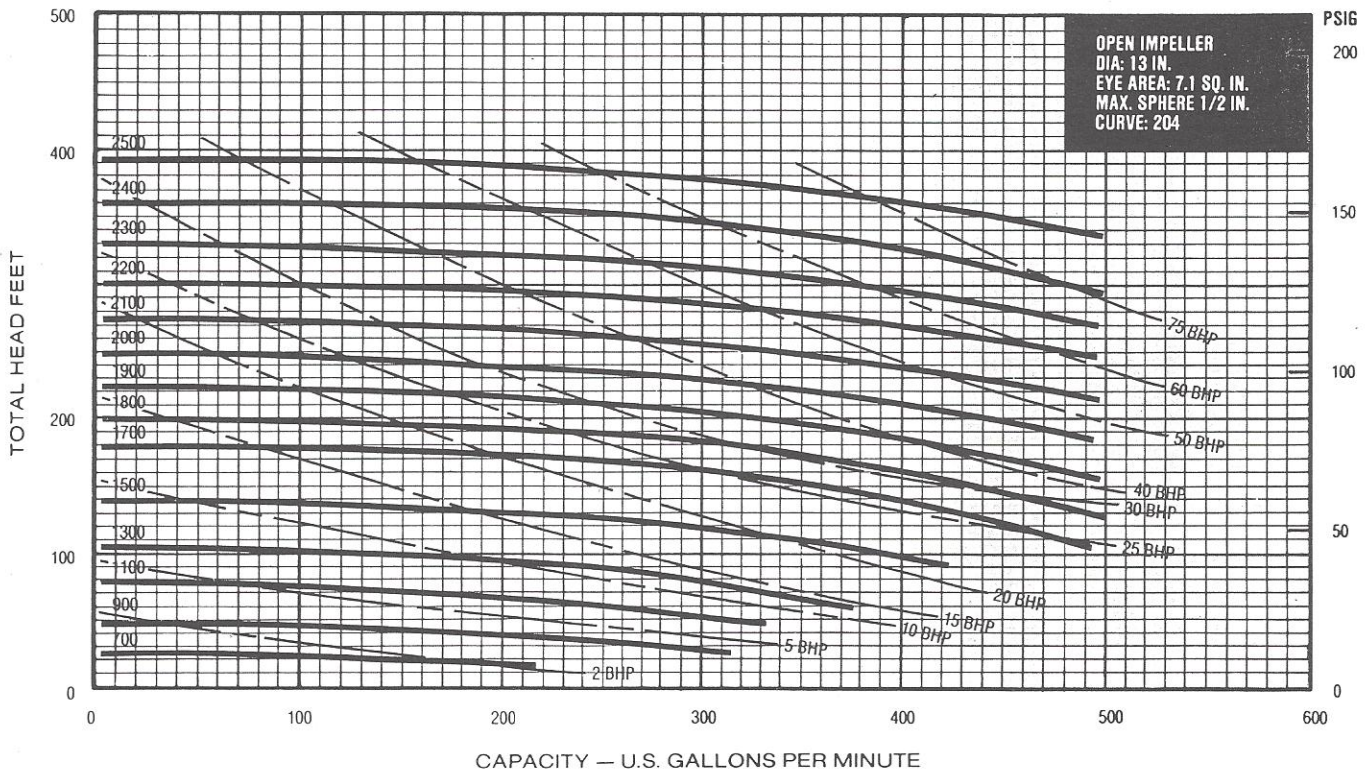


250 SERIES

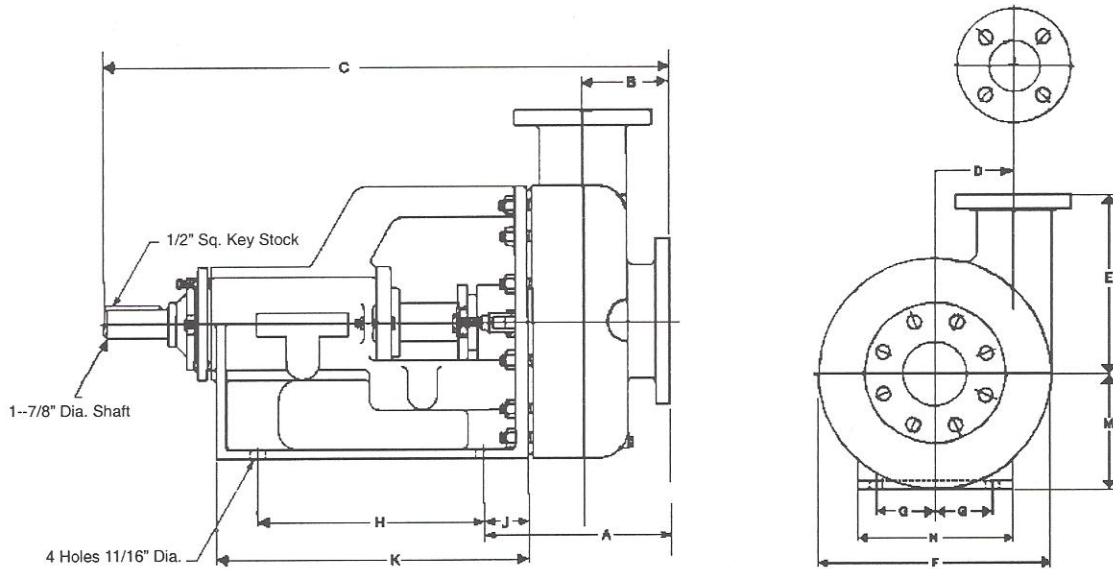
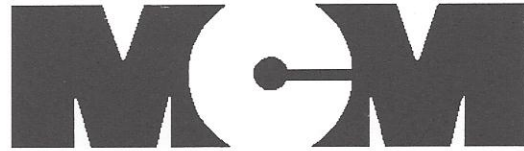
3 x 4 x 13 1000-2400 RPM



2 x 3 x 13 700-2500 RPM



250 SERIES DIMENSIONAL DATA CENTRIFUGAL PUMP



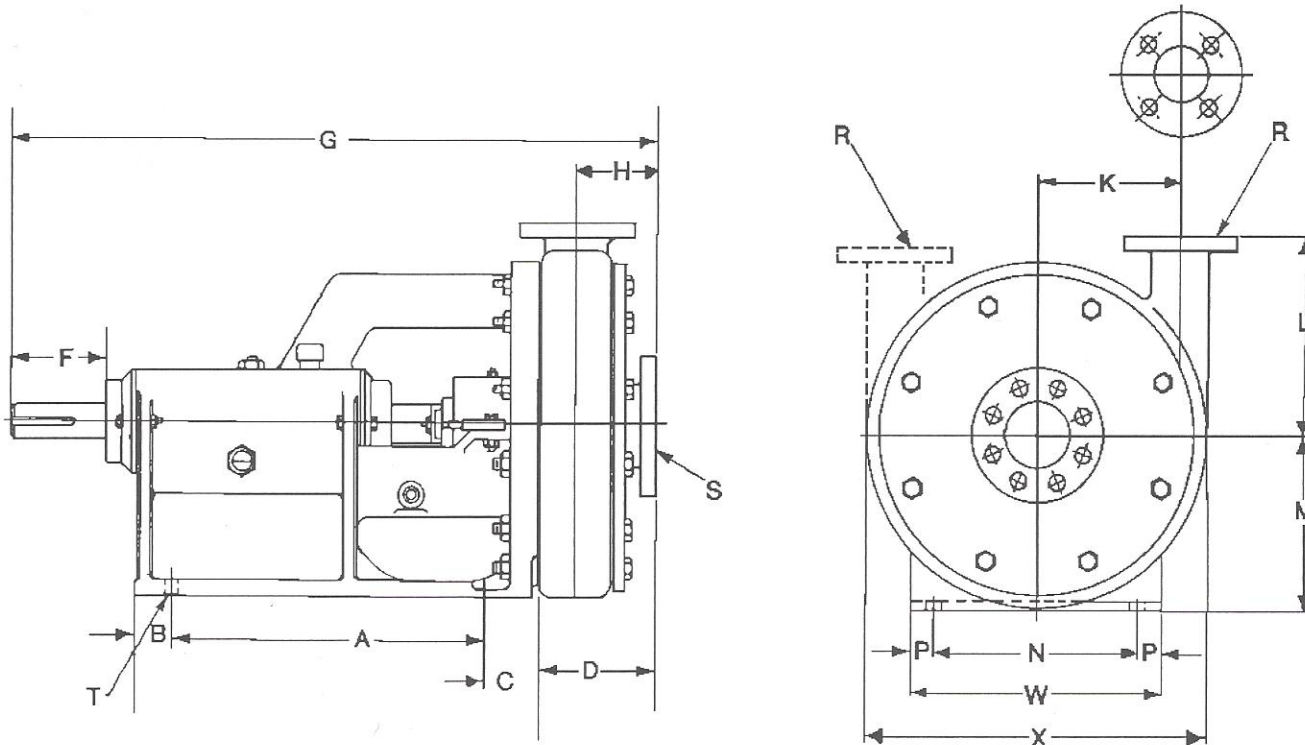
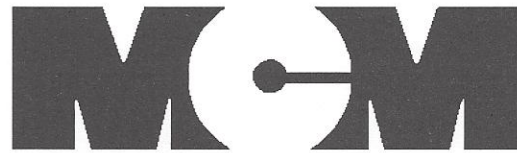
PEDESTAL, HOUSING & INSTALLATION DIMENSIONS

DIMENSION	SIZE	2x3x13	3x4x13	4x5x14	5x6x11	5x6x14	6x8x11	6x8x14
A		8-3/4	9-3/8	10-3/4	12-1/16	12-1/16	13-1/4	13-1/4
B		3-3/4	4-1/4	5	5-3/4	5-3/4	6-3/4	6-3/4
C		33	33-5/8	35	36-3/8	36-3/8	37-1/2	37-1/2
D		7	6-3/4	6-1/8	6	6	8-3/8	8-3/8
E		10-1/4	10-1/4	11	11	11	14	14
F		17-7/8	17-7/8	19	17-7/8	21	20	23
G		3-1/2	3-1/2	3-1/2	3-1/2	3-1/2	3-1/2	3-1/2
H		15-7/16	15-7/16	15-7/16	15-7/16	15-7/16	15-7/16	15-7/16
J		2-5/16	2-5/16	2-5/16	2-5/16	2-5/16	2-5/16	2-5/16
K		19-5/8	19-5/8	19-5/8	19-5/8	19-5/8	19-5/8	19-5/8
M		9	9	9	9	9	9	9
N		9	9	9	9	9	9	9
Max. Impeller Dia.		13	13	14	11	14	11	14
Min. Impeller Dia.		6	6	7	8	10	8	10
Suction Size		3	4	5	6	6	8	8
Discharge Size		2	3	4	5	5	6	6
Weight - Lbs.		430	440	490	520	550	610	630

FLANGE SIZES

FLANGE SIZE	I.D.	O.D.	B.C.	NO. OF HOLES	SIZE OF HOLES	THICKNESS
2	2	6	4-3/4	4	3/4	5/8
3	3	7-1/2	6	4	3/4	3/4
4	4	9	7-1/2	8	3/4	15/16
5	5	10	8-1/2	8	7/8	15/16
6	6	11	9-1/2	8	7/8	1
8	8	13-1/2	11-3/4	8	7/8	1-1/8

178 SERIES DIMENSIONAL DATA CENTRIFUGAL PUMP



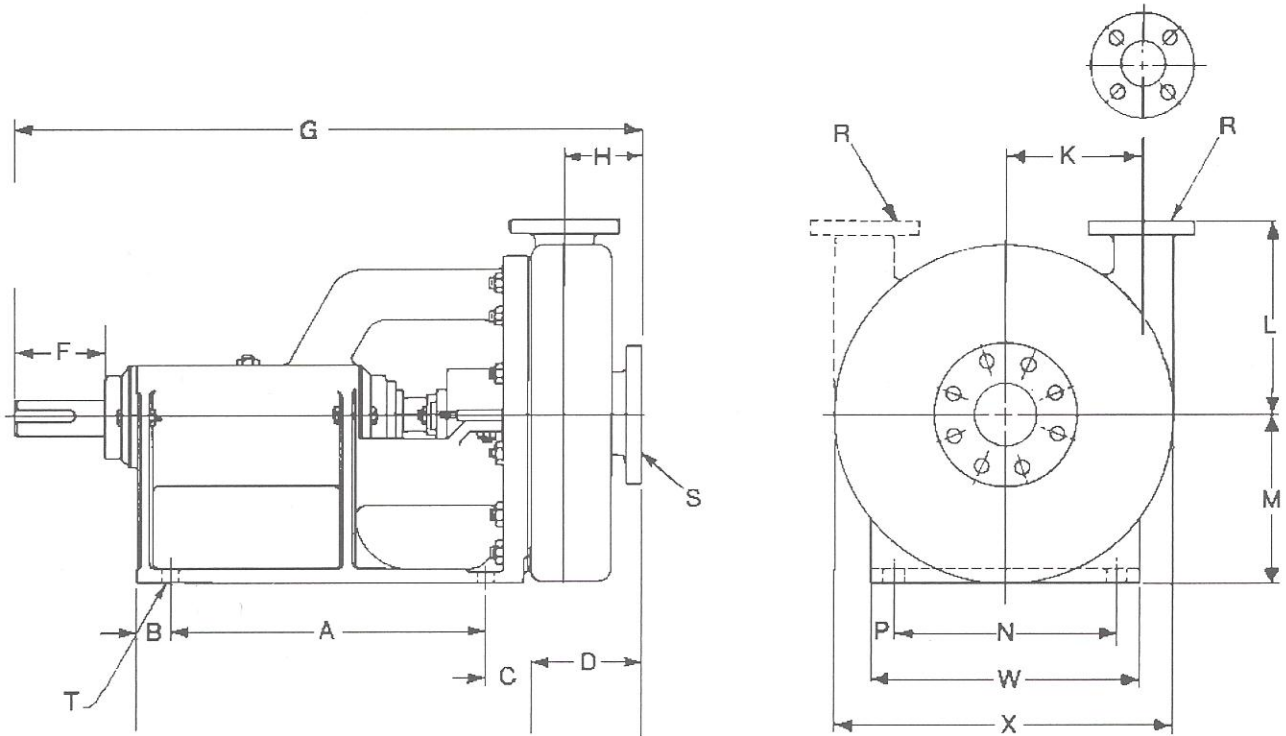
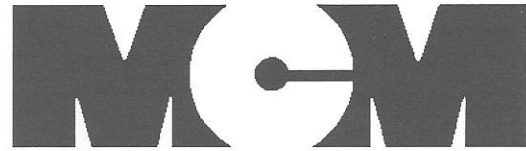
Pedestal, Housing, & Installation Dimensions

PUMP SIZE	A	B	C	D	F	G	H	K	L	M	N	P	R	S	T	W	X
2x3	16-1/2	1-11/16	2-1/4	6	5	33-1/2	4	7	10-1/4	9	7	1	2	3	(4)-11/16	9	18
3x4	16-1/2	1-11/16	2-1/4	6-3/8	5	34-1/2	4-1/4	7-1/2	10-1/4	9	7	1	3	4	(4)-11/16	9	18
4x5	16-1/2	1-11/16	2-1/4	6-3/8	5	35-3/4	5-1/2	7	11	9	7	1	4	5	(4)-11/16	9	18
5x6	16-1/2	1-11/16	2-1/4	8-3/4	5	36-3/4	5-3/4	6	11	9	7	1	6	8	(4)-11/16	9	18
6x8	16-1/2	1-11/16	2-1/4	10-1/8	5	37-7/8	6-1/4	8-3/8	14-1/4	9	7	1	6	8	(4)-11/16	9	23

FLANGE SIZES

Pump Size	Pump Type (Shaft Dia.)	Discharge Pipe		Suction Pipe	
		SIZE	DRILLING	SIZE	DRILLING
2x3-R & L	1-7/8	2	4 Holes 3/4 Dia. 4-3/4 B.C.	3	4 Holes 3/4 Dia. 6 B.C.
3x4-R & L	1-7/8	3	8 Holes 3/4 Dia. 6 B.C.	4	8 Holes 3/4 Dia. 7-1/2 B.C.
4x5-R & L	1-7/8	4	8 Holes 3/4 Dia. 7-1/2 B.C.	5	8 Holes 7/8 Dia. 8-1/2 B.C.
5x6-R & L	1-7/8	5	8 Holes 7/8 Dia. 8-1/2 B.C.	6	8 Holes 7/8 Dia. 9-1/2 B.C.
6x8-R & L	1-7/8	6	8 Holes 7/8 Dia. 9-1/2 B.C.	8	8 Holes 7/8 Dia. 11-3/4 B.C.

**118 SERIES
DIMENSIONAL DATA
CENTRIFUGAL PUMP**



PEDESTAL, HOUSING & INSTALLATION DIMENSIONS

PUMP SIZE	A	B	C	D	F	G	H	K	L	M	N	P	R	S	T	W	X
1x1-1/2 R & L	13	1-7/16	2-3/8	4-1/4	3-5/16	26-1/4	3-1/8	4-7/8	7-1/2	7	4-1/4	7/8	1	1-1/2	(4)-11/16	6	12
1-1/2x2 R & L	13	1-7/16	2-3/8	5	3-5/16	26-3/4	3-1/2	4-5/8	7-11/16	7	4-1/4	7/8	1-1/2	2	(4)-11/16	6	12
2x3 R & L	13	1-7/16	2-3/8	5-1/2	3-5/16	27	3-3/4	5-1/2	7-3/4	7	4-1/4	7/8	2	3	(4)-11/16	6	12
3x4 R & L	13	1-7/16	2-3/8	6-5/8	3-5/16	28-1/2	4-1/4	5	8	7	4-1/4	7/8	3	4	(4)-11/16	6	12-3/4

FLANGE SIZES

PUMP SIZE	PUMP TYPE (Shaft Dia.)	Discharge Pipe		Suction Pipe	
		SIZE	DRILLING	SIZE	DRILLING
1 x 1-1/2	1-1/8	1	4 Holes 5/8 Dia. 3-1/8 B.C.	1-1/2	4 Holes 5/8 Dia. 3-7/8 B.C.
1-1/2 x 2	1-1/8	1-1/2	4 Holes 5/8 Dia. 3-7/8 B.C.	2	4 Holes 3/4 Dia. 4-3/4 B.C.
2 x 3	1-1/8	2	4 Holes 3/4 Dia. 4-3/4 B.C.	3	4 Holes 3/4 Dia. 6 B.C.
3 x 4	1-1/8	3	4 Holes 3/4 Dia. 6 B.C.	4	4 Holes 3/4 Dia. 7-1/2 B.C.