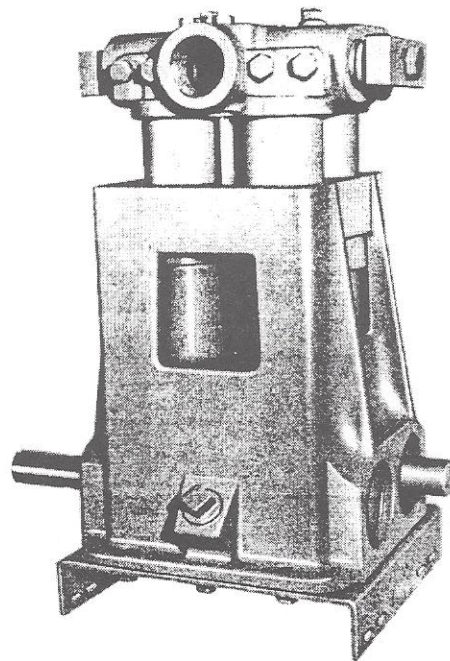
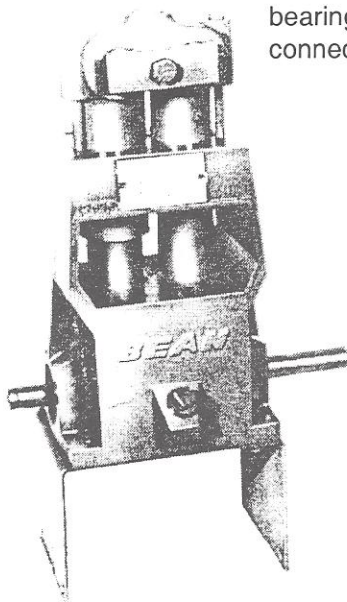


# BEAN PUMPS Models A04, E04

## SPECIFICATIONS

- Piston — 1-1/4", 1-3/8" & 1-5/8" diameters
- Flows to 19 gpm
- Pressures to 750 psi

Automotive type insert bearings on precision connecting rods



Splash deflectors prevent oil bath contamination from fluid end leakage

## SPECIAL FEATURES

- Fluid End Material of Ductile Iron
- Nitrided Crankshaft Resists Corrosion
- Horizontal Model (104) Available
- Designed for Easy, Economical Maintenance
- Cast Iron Pump Case
- Special Raised Seat Valves and Hardened Valve Chamber Available for Abrasives

## PERFORMANCE SPECIFICATIONS

PUMP MODEL	DISPLACEMENT		INPUT		BORE	PSI	VALVE TYPE
	MIN GPM	MAX GPM	MIN	MAX			
A0410C	3.2	5.3	306	500	1-1/4	750	Disc
A0411C	3.9	6.5	306	500	1-3/8	600	Disc
A0413C	5.4	9.0	306	500	1-5/8	550	Disc
I0410C	1.1	5.3	100	500	1-1/4	750	Disc
I0411C	1.3	6.5	100	500	1-3/8	600	Disc
I0413C	1.8	9.0	100	500	1-5/8	550	Disc

### DISPLACEMENT PER REVOLUTION

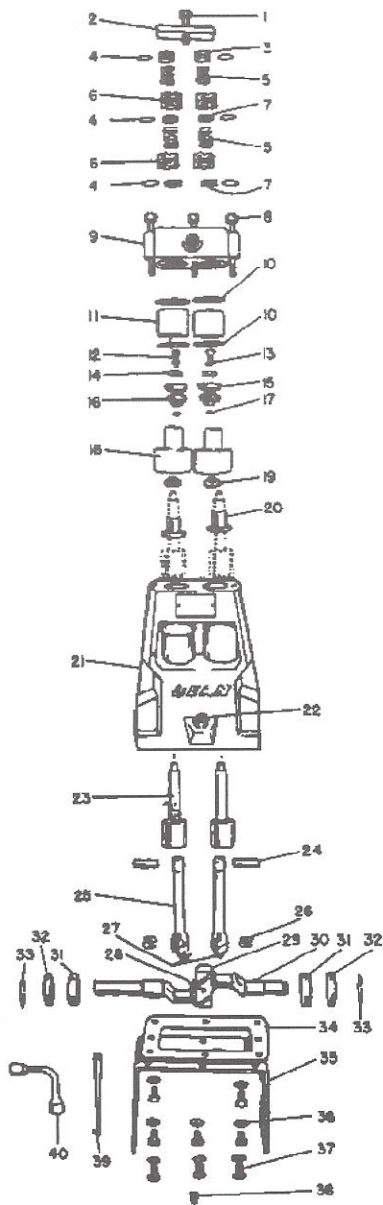
A0410C, I0410C - .0106 Gal. Rev.  
 A0411C, I0411C - .0129 Gal. Rev.  
 A0413C, I0413C - .0180 Gal. Rev.

### HORSEPOWER

A0410C/I0410C requires 2.7 HP @ 750 PSI, 5.3 GPM  
 A0411C/I0411C requires 2.7 HP @ 600 PSI, 6.5 GPM  
 A0413C/I0413C requires 3.4 HP @ 550 PSI, 9.0 GPM

# Rig Parts and Supplies

## Parts List for Bean A04 Series Duplex Pump



Ref. No.	PART NAME	Qty. Used	Model A0413C Part No.
1	Hex Cap Screw, 1/2" - 13 x 1-1/2" (Plated Steel) .....	1	1 100 064
2	Clamp, Valve Cover (Steel) .....	1	1 255 887
3	Valve Cover (Steel) .....	2	1 219 614
4	"O" Ring, 1-3/16" O.D. ....	6	1 177 394
5	Spring & Disc .....	4	5 253 449
6	Valve Cage (Stn. Stl.) .....	4	1 219 610
7	Valve Seat (Stn. Stl.) .....	4	1 219 615
8	Hex Cap Screw, 3/8" - 16 x 4-3/4 (Steel) .....	3	1 101 340
9	Valve Chamber (Cast Iron) .....	1	1 241 397
10	Gasket, Cylinder .....	4	A 91 684
10A	Ring Seal .....	2	_____
10B	"O" Ring .....	2	_____
10C	Gasket .....	2	A 91 684
11	Cylinder (Ceramic) .....	2	1 241 364
12	Cap Screw, 5/16" - 18 (Stn. Stl.) Nylok .....	2	1 284 516
14	Packing Washer .....	2	5 257 218
15	Packing .....	2	1 251 925
16	Packing Holder .....	2	1 282 557
17	"O" Ring, 3/4" O.D. ....	2	1 101 339
18	Umbrella .....	2	1 279 148
19	Washer, Umbrella .....	2	1 269 388
20	Sleeve, Crosshead .....	2	1 218 743
21	Case, Pump (Cast Iron) .....	1	1 267 611
22	Pipe Plug, 3/4" (Cast Iron) .....	1	1 105 060
23	Crosshead (Cast Iron) .....	2	1 216 823
24	Wrist Pin .....	2	1 219 650
25	Connecting Rod Assembly .....	2	1 263 906
26	Bearing Insert, Conn. Rod .....	4	1 263 739
28	Machine Screw, #10-24 x 1/2" .....	2	1 101 186
	Speed Nut .....	1	1 272 419
29	Oil Slinger .....	1	1 255 285
30	Crankshaft .....	1	1 244 980
31	Bearing .....	2	1 177 804
32	Oil Seal .....	2	1 219 669
33	Snap Ring (5000/206) .....	2	1 113 528
34	Gasket, Pump Base .....	1	1 219 606
35	Mounting Base, Pump .....	1	1 255 297
36	Cup Washer, 3/8" .....	6	1 177 455
37	Cap Screw, 3/8" - 16 x 3/4" .....	6	1 100 068
38	Pipe Plug, 1/4" — Galv. ....	1	1 105 666
39	Valve Seat Remover .....	1	1 250 638
	NOTE: Valve Chamber Assembly .....	1	1 241 402
	(Contains items 1-9)		